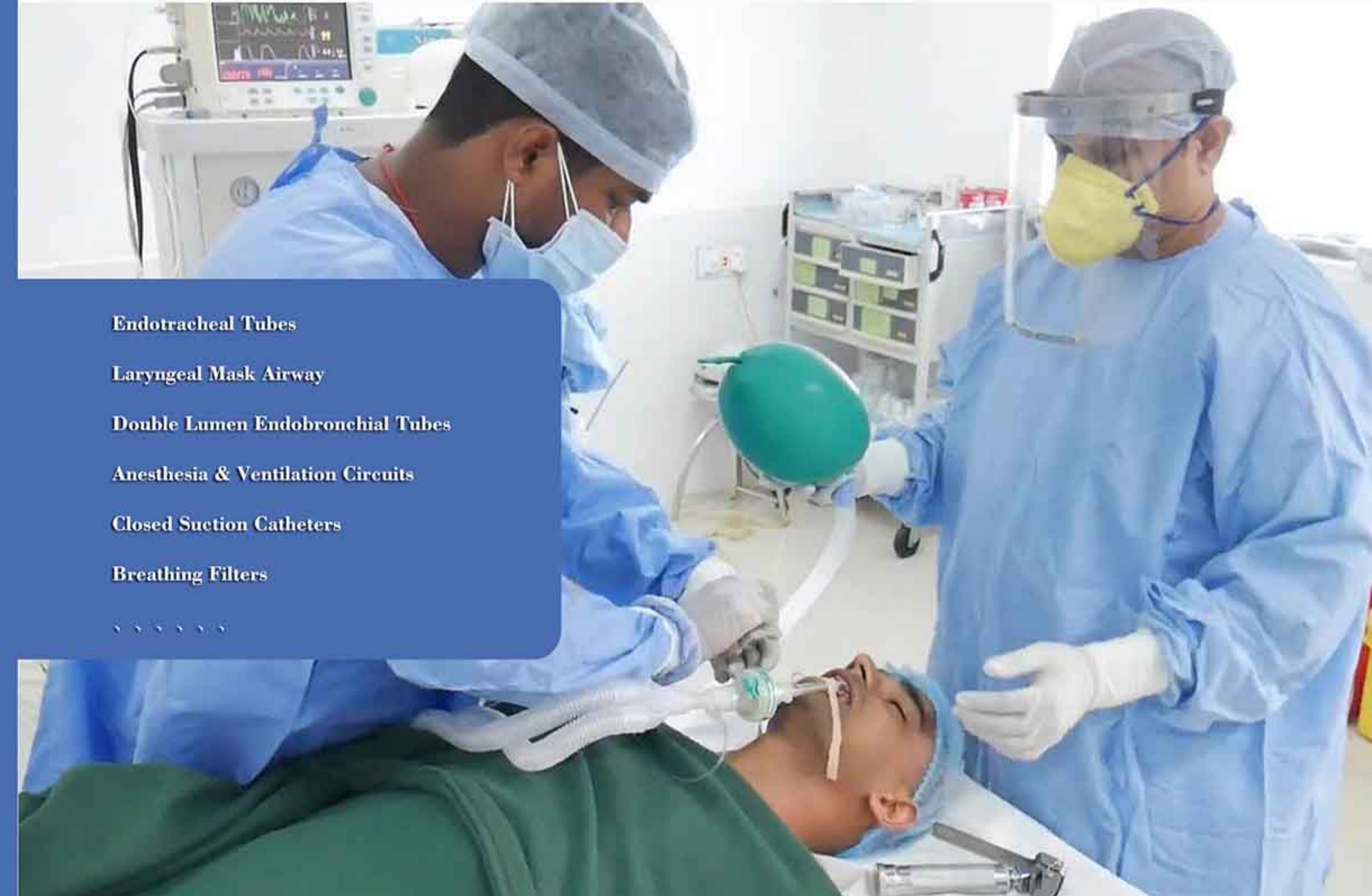


**Customer First
Quality Product
Quality Life
Harmony Development**



Endotracheal Tubes

Laryngeal Mask Airway

Double Lumen Endobronchial Tubes

Anesthesia & Ventilation Circuits

Closed Suction Catheters

Breathing Filters

.....

TRIFANZ Hangzhou Trifanz Medical Device Co., Ltd

Address: Floor 5, Building 36, No 488-1 Donghu North Road, Donghu Sub-district, Yuhang District, Hangzhou City, Zhejiang Province, China, 311100

Tel: 0086-571-88553769

Fax: 0086-571-85859315

Email: roye@trifanz.com

Website: www.trifanz.com

Mob./Wechat/What's app: +8615968815095



R&D



Produce



Warehouse



Market

Hangzhou Trifanz Medical Device Co., Ltd

www.trifanz.com

CONTENTS

03	Laryngeal Mask Airway
07	Endotracheal Tube
11	Tracheostomy Tube
13	Double Lumen Endobronchial Tube
15	Endobronchial Blocker Tube
17	Closed Suction Catheter
19	Breathing Filter (HEPA,BVF,HMEF,HME)
21	Anesthesia & Ventilator circuits
25	Reusable Breathing Circuits
26	Catheter Mount
27	Oropharyngeal / Nasopharyngeal Airway
28	Anesthesia Face Mask
29	Resuscitator
30	CPAP / BiPAP Mask
31	Oxygen Mask / Nebulizer Mask
32	Venturi Mask / Nasal Oxygen Cannula
33	Silicone Foley Catheter
33	Silicone Parts OEM Service
34	Other Parts



COMPANY PROFILE

Hangzhou Trifanz Medical Device Co., Ltd is located in the Hangzhou bio-pharmaceutical hi-tech park, as an innovative enterprise, our company has been supported by the government. Close to Shanghai and Ningbo ports, the transportation is very convenient.

As a leading medical devices manufacturer, Hangzhou Trifanz devotes itself to R&D, production and sales of disposable medical anesthesia and breathing products, such as Laryngeal Mask Airway, Endotracheal Tube, Breathing Filter (BVF,HEPA,HMEF,HME), Endobronchial Blocker Tube, Anesthesia & Ventilator Circuit, Double Lumen Endobronchial Tube, Closed Suction Catheter, Oxygen Face Mask, Anesthesia Face Mask, etc. the various consumables used in anesthesia, respiration & ICU.

Our R & D team: a group of experts of over 20 years' experience;
Our hardware: the 100,000 class GMP clean workshop on the medical products;
Our staff: 80% graduated from University;
Our QC system: 100% qualification on the quality aim, Trifanz will strictly follow the international and domestic medical standard.
Our certificate: ISO13485, CFDA, FSC, SGS, COA, also can do the other certificates as per customer's market.
Our OEM/ODM services: Available.

Hangzhou Trifanz views the quality as a soul of our enterprise, will continue to develop the anesthesia and respiration products, aim at developing Trifanz into a first-class high-tech enterprise in the field of anesthesiology and respiration in China and even in the world.





1, Disposable Silicone Standard Laryngeal Mask Airway



REF. No.	98.01.001	98.01.005	98.01.009	98.01.013	98.01.017	98.01.021	98.01.025
Size	1.0#	1.5#	2.0#	2.5#	3.0#	4.0#	5.0#
Patient Weight	<5kg	5-10kg	10-20kg	20-30kg	30-50kg	50-70kg	70-100kg
Cuff Volume	<4ml	<7ml	<10ml	<14ml	<20ml	<30ml	<40ml
Package	100PCS/CTN	100PCS/CTN	100PCS/CTN	100PCS/CTN	100PCS/CTN	100PCS/CTN	100PCS/CTN

2, Disposable Silicone Reinforced Laryngeal Mask Airway



REF. No.	98.01.101	98.01.105	98.01.109	98.01.113	98.01.117	98.01.121	98.01.125
Size	1.0#	1.5#	2.0#	2.5#	3.0#	4.0#	5.0#
Patient Weight	<5kg	5-10kg	10-20kg	20-30kg	30-50kg	50-70kg	70-100kg
Cuff Volume	<4ml	<7ml	<10ml	<14ml	<20ml	<30ml	<40ml
Package	100PCS/CTN	100PCS/CTN	100PCS/CTN	100PCS/CTN	100PCS/CTN	100PCS/CTN	100PCS/CTN

3, Disposable PVC Standard Laryngeal Mask Airway



REF. No.	98.02.001	98.02.005	98.02.009	98.02.013	98.02.017	98.02.021	98.02.025
Size	1.0#	1.5#	2.0#	2.5#	3.0#	4.0#	5.0#
Patient Weight	<5kg	5-10kg	10-20kg	20-30kg	30-50kg	50-70kg	70-100kg
Cuff Volume	<4ml	<7ml	<10ml	<14ml	<20ml	<30ml	<40ml
Package	100PCS/CTN	100PCS/CTN	100PCS/CTN	100PCS/CTN	100PCS/CTN	100PCS/CTN	100PCS/CTN

4, Disposable PVC Reinforced Laryngeal Mask Airway



REF. No.	98.02.101	98.02.105	98.02.109	98.02.113	98.02.117	98.02.121	98.02.125
Size	1.0#	1.5#	2.0#	2.5#	3.0#	4.0#	5.0#
Patient Weight	<5kg	5-10kg	10-20kg	20-30kg	30-50kg	50-70kg	70-100kg
Cuff Volume	<4ml	<7ml	<10ml	<14ml	<20ml	<30ml	<40ml
Package	100PCS/CTN	100PCS/CTN	100PCS/CTN	100PCS/CTN	100PCS/CTN	100PCS/CTN	100PCS/CTN

5, Disposable PVC Laryngeal Mask Airway-MRI



REF. No.	98.02.201	98.02.205	98.02.209	98.02.213	98.02.217	98.02.221	98.02.225
Size	1.0#	1.5#	2.0#	2.5#	3.0#	4.0#	5.0#
Patient Weight	<5kg	5-10kg	10-20kg	20-30kg	30-50kg	50-70kg	70-100kg
Cuff Volume	<4ml	<7ml	<10ml	<14ml	<20ml	<30ml	<40ml
Package	100PCS/CTN	100PCS/CTN	100PCS/CTN	100PCS/CTN	100PCS/CTN	100PCS/CTN	100PCS/CTN

FEATURES & BENEFIT

- * Made of medical silicone, have good biocompatibility, non-toxic.
- * Exclusive soft seal cuff can be insert comfortable, minimizing potential trauma and increasing sealing.
- * Strengthen neck and tip eases insertion and prevents folds.
- * Kink-free tube eliminates the risk of airway tube occlusion.
- * Reinforced Laryngeal mask airway specially designed for ENT, ophthalmic, dental and other head and neck surgeries.
- * Have different size, suitable for neonate, infant, child and adult.
- * Different color cuff, different material cuff, with aperture bar or not.
- * Different tube shape for suction tube or feeding tube.

CUFF:
Different Color
Different shape
With aperture bar



1, Reusable Silicone Standard Laryngeal Mask Airway



REF. No.	98.01.031	98.01.035	98.01.039	98.01.043	98.01.047	98.01.051	98.01.055
Size	1.0#	1.5#	2.0#	2.5#	3.0#	4.0#	5.0#
Patient Weight	<5kg	5-10kg	10-20kg	20-30kg	30-50kg	50-70kg	70-100kg
Cuff Volume	<4ml	<7ml	<10ml	<14ml	<20ml	<30ml	<40ml
Package	100PCS/CTN	100PCS/CTN	100PCS/CTN	100PCS/CTN	100PCS/CTN	100PCS/CTN	100PCS/CTN

2, Reusable Silicone Reinforced Laryngeal Mask Airway



REF. No.	98.01.131	98.01.135	98.01.139	98.01.143	98.01.147	98.01.151	98.01.155
Size	1.0#	1.5#	2.0#	2.5#	3.0#	4.0#	5.0#
Patient Weight	<5kg	5-10kg	10-20kg	20-30kg	30-50kg	50-70kg	70-100kg
Cuff Volume	<4ml	<7ml	<10ml	<14ml	<20ml	<30ml	<40ml
Package	100PCS/CTN	100PCS/CTN	100PCS/CTN	100PCS/CTN	100PCS/CTN	100PCS/CTN	100PCS/CTN

Reusable Laryngeal Mask Airway
Can be reusable for 40 times, by high temperature disinfection



PVC main tube, medical grade material
Silicone Cuff, more comfortable when intubating for a long time.

REF. No.	98.01.601	98.01.605	98.01.609	98.01.613	98.01.617	98.01.621	98.01.625
Size	1.0#	1.5#	2.0#	2.5#	3.0#	4.0#	5.0#
Patient Weight	<5kg	5-10kg	10-20kg	20-30kg	30-50kg	50-70kg	70-100kg
Cuff Volume	<4ml	<7ml	<10ml	<14ml	<20ml	<30ml	<40ml
Package	100PCS/CTN	100PCS/CTN	100PCS/CTN	100PCS/CTN	100PCS/CTN	100PCS/CTN	100PCS/CTN



Color coded pilot balloon
Silicone laryngeal mask airway





FEATURES & BENEFIT

- High volume low pressure cuff or uncuffed
- Wire reinforced tube, kink resistant
- Black glottic positioning line
- Soft medical grade PVC tube
- Preformed to reduce kinking
- Stylet optional, bite block optional
- Standard 15mm connector, blue or transparent
- Different type: Oral/Nasal, Oral preformed, Nasal Preformed
- Graduated marking
- Blue X-ray opaque line
- Sterile/Single use
- Latex-free
- Murphy Eye, smooth bevel

1, Disposable PVC Reinforced Endotracheal Tube--uncuffed

ID Size	REF No.	ID Size	REF No.	ID Size	REF No.	ID Size	REF No.
2.0#	98.04.602	4.5#	98.04.612	7.0#	98.04.632	9.5#	98.04.644
2.5#	98.04.604	5.0#	98.04.616	7.5#	98.04.636	10.0#	98.04.645
3.0#	98.04.606	5.5#	98.04.620	8.0#	98.04.640	—	—
3.5#	98.04.608	6.0#	98.04.624	8.5#	98.04.642	—	—
4.0#	98.04.610	6.5#	98.04.628	9.0#	98.04.643	—	—

2, Disposable PVC Reinforced Endotracheal Tube--cuffed

ID Size	REF No.	ID Size	REF No.	ID Size	REF No.	ID Size	REF No.
2.0#	98.04.648	4.5#	98.04.662	7.0#	98.04.682	9.5#	98.04.684
2.5#	98.04.650	5.0#	98.04.666	7.5#	98.04.686	10.0#	98.04.685
3.0#	98.04.652	5.5#	98.04.670	8.0#	98.04.680	—	—
3.5#	98.04.654	6.0#	98.04.674	8.5#	98.04.682	—	—
4.0#	98.04.658	6.5#	98.04.678	9.0#	98.04.683	—	—

FEATURES & BENEFIT

- Soft silicone cuffed, or uncuffed
- Graduated marking
- Stainless Steel spiral reinforced/ Kink resistant
- Black glottic positioning line
- Soft medical grade Silicone tube
- Smooth treatment on each part
- Soft and smooth bevel
- Sterile/Single use
- Latex-free
- Preloaded stylet
- Standard 15mm connector
- Package:1PCS/pouch, 10PCS/Box,100PCS/CTN.

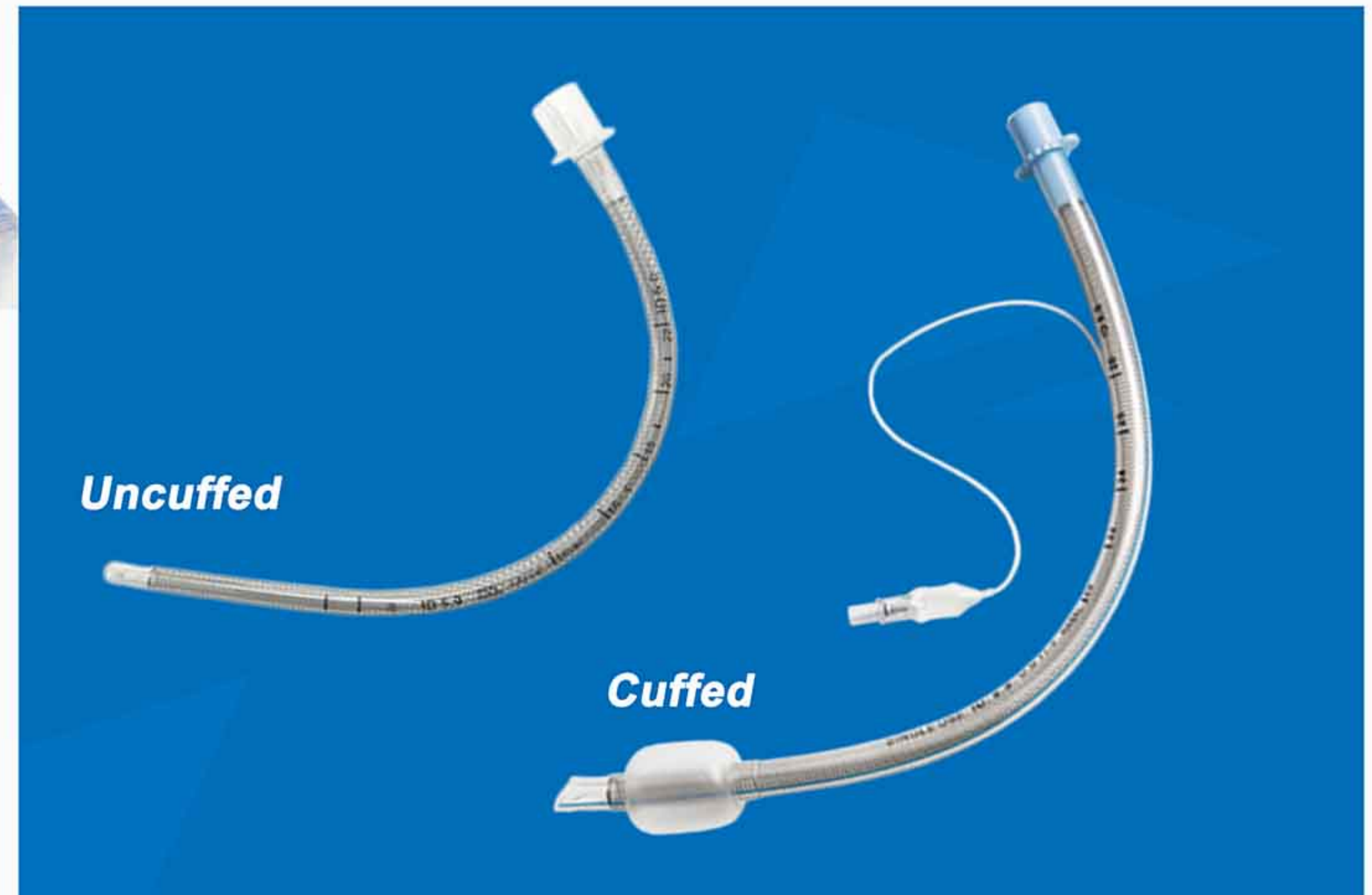


1, Disposable Silicone Reinforced Endotracheal Tube--uncuffed

ID Size	REF No.	ID Size	REF No.	ID Size	REF No.	ID Size	REF No.
2.0#	—	4.5#	98.03.017	7.0#	98.03.037	9.5#	98.03.057
2.5#	98.03.001	5.0#	98.03.021	7.5#	98.03.041	10.0#	—
3.0#	98.03.005	5.5#	98.03.025	8.0#	98.03.045	—	—
3.5#	98.03.009	6.0#	98.03.029	8.5#	98.03.049	—	—
4.0#	98.03.013	6.5#	98.03.033	9.0#	98.03.053	—	—

2, Disposable Silicone Reinforced Endotracheal Tube--cuffed

ID Size	REF No.	ID Size	REF No.	ID Size	REF No.	ID Size	REF No.
2.0#	—	4.5#	98.03.117	7.0#	98.03.137	9.5#	98.03.157
2.5#	98.03.101	5.0#	98.03.121	7.5#	98.03.141	10.0#	—
3.0#	98.03.105	5.5#	98.03.125	8.0#	98.03.145	—	—
3.5#	98.03.109	6.0#	98.03.129	8.5#	98.03.149	—	—
4.0#	98.03.113	6.5#	98.03.133	9.0#	98.03.153	—	—



**Endotracheal tube
-PVC Classic**

1, Disposable PVC Oral/Nasal Endotracheal Tube--uncuffed



ID Size	REF No.	ID Size	REF No.	ID Size	REF No.	ID Size	REF No.
2.0#	98.04.402	4.5#	98.04.412	7.0#	98.04.432	9.5#	98.04.444
2.5#	98.04.404	5.0#	98.04.416	7.5#	98.04.436	10.0#	98.04.445
3.0#	98.04.406	5.5#	98.04.420	8.0#	98.04.440	—	—
3.5#	98.04.408	6.0#	98.04.424	8.5#	98.04.442	—	—
4.0#	98.04.410	6.5#	98.04.428	9.0#	98.04.443	—	—

2, Disposable PVC Oral/Nasal Endotracheal Tube--cuffed



ID Size	REF No.	ID Size	REF No.	ID Size	REF No.	ID Size	REF No.
2.0#	98.04.446	4.5#	98.04.458	7.0#	98.04.478	9.5#	98.04.496
2.5#	98.04.448	5.0#	98.04.462	7.5#	98.04.482	10.0#	98.04.498
3.0#	98.04.450	5.5#	98.04.466	8.0#	98.04.486	—	—
3.5#	98.04.452	6.0#	98.04.470	8.5#	98.04.490	—	—
4.0#	98.04.454	6.5#	98.04.474	9.0#	98.04.494	—	—

3, Disposable PVC Oral Preformed Endotracheal Tube--uncuffed



ID Size	REF No.	ID Size	REF No.	ID Size	REF No.	ID Size	REF No.
2.0#	98.04.446	4.5#	98.04.458	7.0#	98.04.478	9.5#	98.04.496
2.5#	98.04.448	5.0#	98.04.462	7.5#	98.04.482	10.0#	98.04.498
3.0#	98.04.450	5.5#	98.04.466	8.0#	98.04.486	—	—
3.5#	98.04.452	6.0#	98.04.470	8.5#	98.04.490	—	—
4.0#	98.04.454	6.5#	98.04.474	9.0#	98.04.494	—	—

4, Disposable PVC Oral Preformed Endotracheal Tube--cuffed



ID Size	REF No.	ID Size	REF No.	ID Size	REF No.	ID Size	REF No.
2.0#	98.04.146	4.5#	98.04.158	7.0#	98.04.178	9.5#	98.04.196
2.5#	98.04.148	5.0#	98.04.162	7.5#	98.04.182	10.0#	98.04.198
3.0#	98.04.150	5.5#	98.04.166	8.0#	98.04.186	—	—
3.5#	98.04.152	6.0#	98.04.170	8.5#	98.04.190	—	—
4.0#	98.04.154	6.5#	98.04.174	9.0#	98.04.194	—	—

5, Disposable PVC Nasal Preformed Endotracheal Tube--uncuffed



ID Size	REF No.	ID Size	REF No.	ID Size	REF No.	ID Size	REF No.
2.0#	98.04.202	4.5#	98.04.212	7.0#	98.04.232	9.5#	98.04.244
2.5#	98.04.204	5.0#	98.04.216	7.5#	98.04.236	10.0#	98.04.245
3.0#	98.04.206	5.5#	98.04.220	8.0#	98.04.240	—	—
3.5#	98.04.208	6.0#	98.04.224	8.5#	98.04.242	—	—
4.0#	98.04.210	6.5#	98.04.228	9.0#	98.04.243	—	—

6, Disposable PVC Nasal Preformed Endotracheal Tube--cuffed



ID Size	REF No.	ID Size	REF No.	ID Size	REF No.	ID Size	REF No.
2.0#	98.04.246	4.5#	98.04.258	7.0#	98.04.278	9.5#	98.04.296
2.5#	98.04.248	5.0#	98.04.262	7.5#	98.04.282	10.0#	98.04.298
3.0#	98.04.250	5.5#	98.04.266	8.0#	98.04.286	—	—
3.5#	98.04.252	6.0#	98.04.270	8.5#	98.04.290	—	—
4.0#	98.04.254	6.5#	98.04.274	9.0#	98.04.294	—	—

**Endotracheal tube
-With suction lumen**



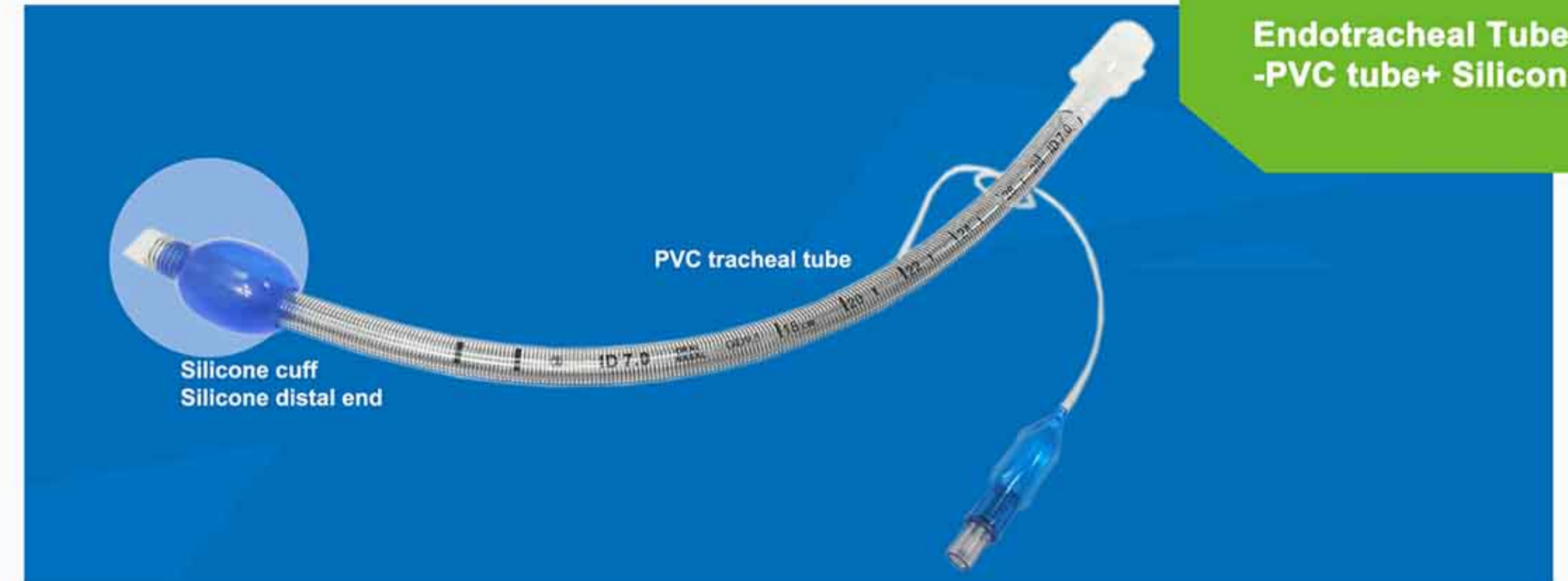
1, Classic ET Tube--with suction lumen

ID Size	REF No.	ID Size	REF No.
—	—	7.0#	98.04.949
5.0#	98.04.941	7.5#	98.04.951
5.5#	98.04.943	8.0#	98.04.953
6.0#	98.04.945	8.5#	98.04.955
6.5#	98.04.947	9.0#	98.04.957

2, Reinforced ET Tube--with suction lumen

ID Size	REF No.	ID Size	REF No.
—	—	7.0#	98.04.921
5.0#	98.04.913	7.5#	98.04.923
5.5#	98.04.915	8.0#	98.04.925
6.0#	98.04.917	8.5#	98.04.927
6.5#	98.04.919	9.0#	98.04.929

**Endotracheal Tube
-PVC tube+ Silicone cuff**



ID Size	REF No.	ID Size	REF No.	ID Size	REF No.	ID Size	REF No.
2.0#	98.04.601	4.5#	98.04.606	7.0#	98.04.611	9.5#	98.04.616
2.5#	98.04.602	5.0#	98.04.607	7.5#	98.04.612	10.0#	98.04.617
3.0#	98.04.603	5.5#	98.04.608	8.0#	98.04.613	—	—
3.5#	98.04.604	6.0#	98.04.609	8.5#	98.04.614	—	—
4.0#	98.04.605	6.5#	98.04.610	9.0#	98.04.615	—	—



Uncuffed



Cuffed

1, Disposable PVC Tracheostomy Tube--Reinforced--uncuffed

ID Size	REF No.	ID Size	REF No.	ID Size	REF No.	ID Size	REF No.
—	—	4.5#	98.04.712	7.0#	98.04.722	9.5#	98.04.732
2.5#	98.04.704	5.0#	98.04.714	7.5#	98.04.724	10.0#	98.04.734
3.0#	98.04.706	5.5#	98.04.716	8.0#	98.04.726	—	—
3.5#	98.04.708	6.0#	98.04.718	8.5#	98.04.728	—	—
4.0#	98.04.710	6.5#	98.04.720	9.0#	98.04.730	—	—

2, Disposable PVC Tracheostomy Tube--Reinforced--cuffed

ID Size	REF No.	ID Size	REF No.	ID Size	REF No.	ID Size	REF No.
—	—	4.5#	98.04.743	7.0#	98.04.753	9.5#	98.04.763
2.5#	98.04.735	5.0#	98.04.745	7.5#	98.04.755	10.0#	98.04.765
3.0#	98.04.737	5.5#	98.04.747	8.0#	98.04.757	—	—
3.5#	98.04.739	6.0#	98.04.749	8.5#	98.04.759	—	—
4.0#	98.04.741	6.5#	98.04.751	9.0#	98.04.761	—	—

FEATURES & BENEFIT

- High volume low pressure cuff, or uncuffed
- Classic tube, or wire reinforced tube, kink resistant
- Soft medical grade PVC tube
- X-ray opaque
- 15mm connector
- Obturator
- Anatomically shaped
- Open transparent fixation flange
- Cloth neck band
- Sterile/Single use
- Latex-free
- Package: 1pcs/blister, 10pcs/box, 100pcs/CTN

1, Disposable PVC Tracheostomy Tube--Classic--uncuffed

ID Size	REF No.	ID Size	REF No.	ID Size	REF No.	ID Size	REF No.
—	—	4.5#	98.04.812	7.0#	98.04.822	9.5#	98.04.832
2.5#	98.04.804	5.0#	98.04.814	7.5#	98.04.824	10.0#	98.04.834
3.0#	98.04.806	5.5#	98.04.816	8.0#	98.04.826	—	—
3.5#	98.04.808	6.0#	98.04.818	8.5#	98.04.828	—	—
4.0#	98.04.810	6.5#	98.04.820	9.0#	98.04.830	—	—

2, Disposable PVC Tracheostomy Tube--Classic--cuffed

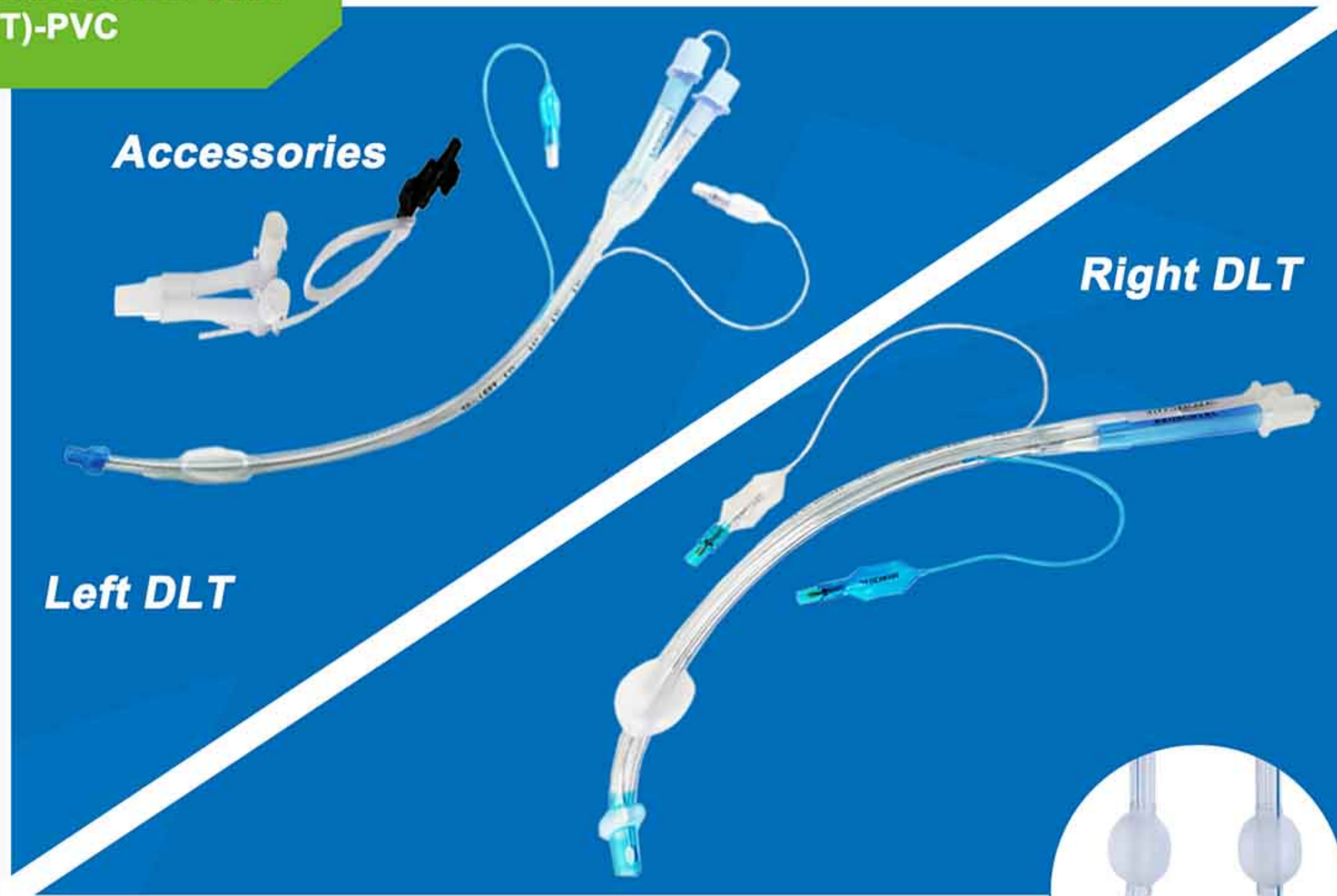
ID Size	REF No.	ID Size	REF No.	ID Size	REF No.	ID Size	REF No.
—	—	4.5#	98.04.843	7.0#	98.04.853	9.5#	98.04.863
2.5#	98.04.835	5.0#	98.04.845	7.5#	98.04.855	10.0#	98.04.865
3.0#	98.04.837	5.5#	98.04.847	8.0#	98.04.857	—	—
3.5#	98.04.839	6.0#	98.04.849	8.5#	98.04.859	—	—
4.0#	98.04.841	6.5#	98.04.851	9.0#	98.04.861	—	—



Reinforced-uncuffed



Reinforced-cuffed



Application: It is mainly used to isolate the left or the right lung of a patient for surgery, one lung ventilation or one lung anesthesia.

1, Disposable SILICONE Double Lumen Endobronchial Tube--Left & Right

ID Size	REF No.	Material	ID Size	REF No.	Material
26Fr Left	98.08.103	Silicone	26Fr Right	98.08.123	Silicone
28Fr Left	98.08.105	Silicone	28Fr Right	98.08.125	Silicone
32Fr Left	98.08.107	Silicone	32Fr Right	98.08.127	Silicone
35Fr Left	98.08.109	Silicone	35Fr Right	98.08.129	Silicone
37Fr Left	98.08.111	Silicone	37Fr Right	98.08.131	Silicone
39Fr Left	98.08.113	Silicone	39Fr Right	98.08.133	Silicone
41Fr Left	98.08.115	Silicone	42Fr Right	98.08.135	Silicone

FEATURES & BENEFIT

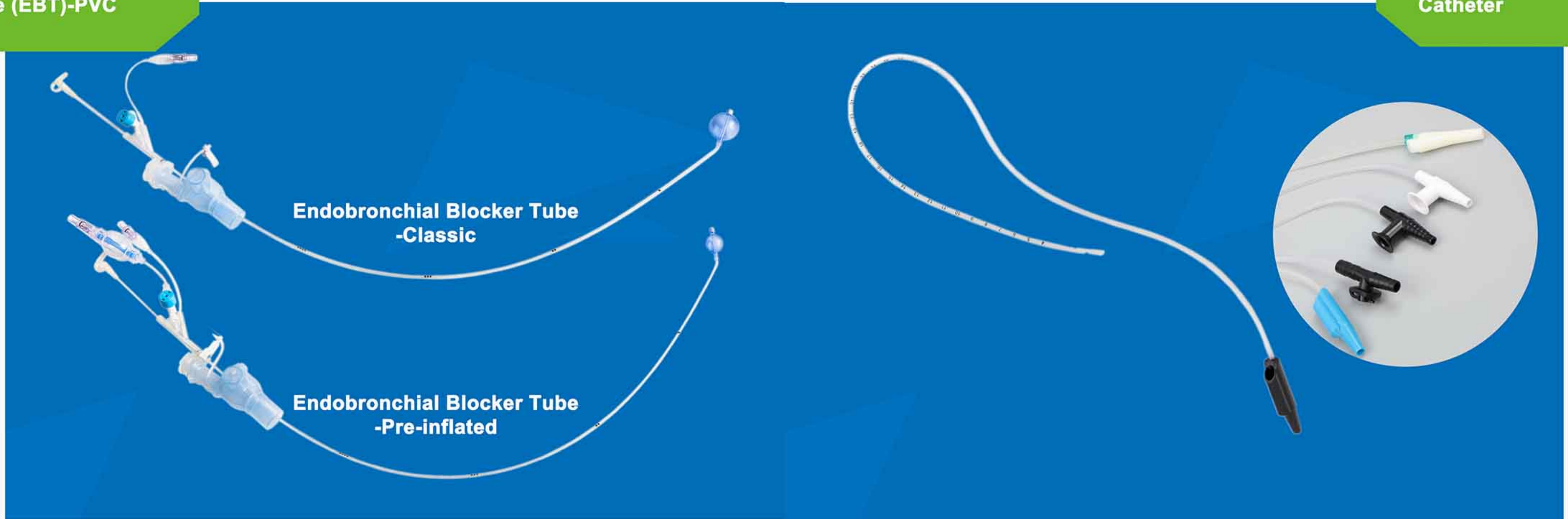
- High volume low pressure cuff
- Graduated tube
- Soft medical grade PVC or Silicone
- Color coded for identification of ports, balloons & connectors
- X-ray opaque line (only on PVC DLT)
- Accessories: Y-connectors, stylet & 2pc suction catheters
- Sterile/Single use
- Latex-free
- Package:EO sterilized pouch,1pcs/pack, 80pcs/CTN

The main disadvantage of right sided tubes concerns the short length of the right main bronchus before giving off the upper lobe bronchus (risk of occlusion). Thus, left-sided tubes are usually preferred, even for right-sided surgery, because of the risk of inadequate ventilation of the right upper lobe if incorrectly positioned.

1, Disposable PVC Double Lumen Endobronchial Tube-Left & Right

ID Size	REF No.	Material	ID Size	REF No.	Material
26Fr Left	98.08.003	PVC	26Fr Right	98.08.023	PVC
28Fr Left	98.08.005	PVC	28Fr Right	98.08.025	PVC
32Fr Left	98.08.007	PVC	32Fr Right	98.08.027	PVC
35Fr Left	98.08.009	PVC	35Fr Right	98.08.029	PVC
37Fr Left	98.08.011	PVC	37Fr Right	98.08.031	PVC
39Fr Left	98.08.013	PVC	39Fr Right	98.08.033	PVC
41Fr Left	98.08.015	PVC	42Fr Right	98.08.035	PVC





FEATURES & BENEFIT

- High volume, low pressure cuff.
- Pilot balloon with soft and small O.D., ensuring good ventilation during thoracic surgery; Blue color plainly visible for fiberscope.
- Unique push switch button design facilitates to lock fiberscope by manipulating guidewire in/out and allows one-lung ventilation with conventional endotracheal tube. Locate accurately and operate easily.
- Two-in-one design. Unlike Double Lumen Endobronchial Tube with left /right side to be chosen from prior to surgery, Endobronchial Blocker Tube allows operator to freely determine which side of tracheal bronchus to be blocked regardless of the device's side.
- No need to replace endotracheal tube after one-lung ventilation.
- Used in combination with endotracheal tubes, tracheostomy tubes and Laryngeal Masks in a wide range of specifications.
- Small O.D., suitable for one-lung ventilation in pediatric cases; It is one of the features which outweigh Double Lumen Endobronchial Tube with larger O.D.
- Multifunctional swivel Joint Connector connects various endotracheal tube and breathing circuit.
- No limits for body positions in surgery.
- Size:5FR, 7FR, 9FR

ID Size	REF No.	Type	ID Size	REF No.	Type
5Fr	98. 07. 103	Classic	5Fr	98. 07. 003	Pre-inflated
7Fr	98. 07. 106	Classic	7Fr	98. 07. 006	Pre-inflated
9Fr	98. 07. 109	Classic	9Fr	98. 07. 009	Pre-inflated

FEATURES & BENEFIT

- Non-toxic, medical grade PVC material, clear, soft and smooth, reduce damage.
- Used together with suction machine to suction the secretion from the respiratory way.
- Various types connectors: T type, Y type, Thumb-controlled type and plane head type.
- Different sizes are distinguished by different color.

ID Size	REF No.	ID Size	REF No.	ID Size	REF No.
6Fr	98. 09. 123	14Fr	98. 09. 131	22Fr	98. 09. 139
8Fr	98. 09. 125	16Fr	98. 09. 133	24Fr	98. 09. 141
10Fr	98. 09. 127	18Fr	98. 09. 135	—	—
12Fr	98. 09. 129	20Fr	98. 09. 137	—	—



Closed Suction Tube --72 Hours



Closed Suction Tube --24 Hours



For Endotracheal Tube



For Tracheostomy Tube

Size	Type	REF No.	Length for Endotracheal tube	Length for Tracheostomy tube	Color
6Fr	Adult- 24 hours	98.09.022	540mm	305mm	Light Green
8Fr		98.09.025	540mm	305mm	Blue
10Fr		98.09.028	540mm	305mm	Black
12Fr		98.09.031	540mm	305mm	White
14Fr		98.09.034	540mm	305mm	Green
16Fr		98.09.037	540mm	305mm	Orange

FEATURES & BENEFIT

- Allow for suctioning a patient on a ventilator without loss of PEEP or mean airway pressure.
- Reduce oxygen desaturation by allowing constant patient ventilation.
- Reduces the potential of infection to the clinician.
- Maintains a sealed airway to reduce exposure to secretions.
- Eliminates patient "Spray Black".
- Provide maximum suction and is designed to reduce trauma.
- Enhance patients safety avoids disconnection from the ventilator during catheter change-out or untangling of lines
- Decrease accidental extubation or decannulation during moving of the patient.
- Color coded parts provide fast size recognition.

Closed Suction Tube --Children



FEATURES & BENEFIT

- Non-toxic, medical grade PVC material, clear, soft and smooth, reduce damage.
- Low dead space adapter specially designed for infants and children.
- Each product is equipped with 3 endotracheal tube connectors, which can be selected according to the size of the endotracheal tube.
- Different sizes are distinguished by different color.

Size	Type	REF No.	Length for Endotracheal tube	Length for Tracheostomy tube	Color
6Fr	Adult- 72 hours	98.09.040	540mm	305mm	Light Green
8Fr		98.09.043	540mm	305mm	Blue
10Fr		98.09.046	540mm	305mm	Black
12Fr		98.09.049	540mm	305mm	White
14Fr		98.09.052	540mm	305mm	Green
16Fr		98.09.055	540mm	305mm	Orange

Size	Type	REF No.	Type	REF No.	Length for Endotracheal tube	Length for Tracheostomy tube	Remark
5Fr	Children 72 hours	98.09.003	Children 24 hours	98.09.013	305mm	210mm	with connectors:2.0/2.5/3.0mm
6Fr		98.09.006		98.09.016	305mm	210mm	with connectors:2.5/3.0/3.5mm
8Fr		98.09.009		98.09.018	305mm	210mm	with connectors:3.5/4.0/4.5mm
10Fr		98.09.010		98.09.020	405mm	210mm	with connectors:4.5/5.0/5.5mm

**Breathing Filters
(BVF, HEPA, HMEF, HME)**



Filters	HEPA-01	HEPA-02	BVF-01	BVF-02	Spirometry filter
Description	HEPA-01	HEPA-02	BVF-01	BVF-02	Spirometry filter
REF No.	98.05.003	98.05.005	98.05.007	98.05.009	98.05.010
Shell material	PP or K-resin	PP or K-resin	ABS or PP or K-resin	ABS or PP or K-resin	PP
Pressure Drop @30LPM	30Pa	30Pa	60Pa	60Pa	20Pa
BFE	99.99%	99.99%	99.99%	99.99%	99.99%
VFE	99.99%	99.99%	99.99%	99.99%	99.99%
Filtering Type	Mechanical	Mechanical	Electrostatic	Electrostatic	Electrostatic
Tidal Volume	200-1500 ml	150-1500 ml	150-300 ml	70-150 ml	/
Dead Space	60 ml	60 ml	30 ml	35 ml	75 ml
Weight	40 g	46 g	23 g	22 g	48 g
Connector	22F-22M/15F	22F/15M-22M/15F	22F/15M-22M/15F	22F/15M-22M/15F	30F/25M
Sampling Port	Yes	Yes	Yes	Yes	Yes
Package	150 PCS/CTN	150 PCS/CTN	200 PCS/CTN	200 PCS/CTN	200 PCS/CTN

FEATURES & BENEFIT

We manufacture the various breathing filters, meet all ISO standards and supply high level clinical protection to different ages patients.

- Designed in light weight, enhancing patients comfort.
- Gas sampling ports available with tethered cap or luer cap.
- The shell is made of medical grade ABS or PP or K-resin with high quality and non-toxic.
- Adopt imported 3-layer filtering medium with high efficiency performance.
- Applying high-efficiency ultrasonic sealing process. The filters have compact appearance and reach the international quality standard.



HMEF	98.05.011	98.05.014	98.05.031	98.05.042
REF No.	98.05.011	98.05.014	98.05.031	98.05.042
Size	Adult	Adult(Elbow)	Pediatric	Neonate
Shell material	ABS or PP or K-resin	ABS or PP or K-resin	ABS or K-resin	ABS or K-resin
Moisture Loss (Paper/Sponge)	15mg	15mg	12mg	10mg
Moisture Output (Paper/Sponge)	25mg/@500 VT	25mg/@500 VT	24mg/@500 VT	22mg/@500 VT
BFE	99.99%	99.99%	99.99%	99.99%
VFE	99.99%	99.99%	99.99%	99.99%
Airflow Resistance (DRY)	120 Pa	120 Pa	120 Pa	120 Pa
Airflow Resistance (WET)	150 Pa	150 Pa	150 Pa	150 Pa
Filtering Type	Electrostatic	Electrostatic	Electrostatic	Electrostatic
Tidal Volume	200-1500 ml	200-1500 ml	150-300 ml	70-150 ml
Dead Space	18 ml	20 ml	12 ml	10 ml
Weight	29 g	31 g	8 g	6 g
Connector	22F/15M-22M/15F	22F/15M-22M/15F	22F/15M-22M/15F	15F-15M/8M
Sampling Port	Yes	Yes	Yes	Yes
Package	200 PCS/CTN	200 PCS/CTN	250 PCS/CTN	250 PCS/CTN

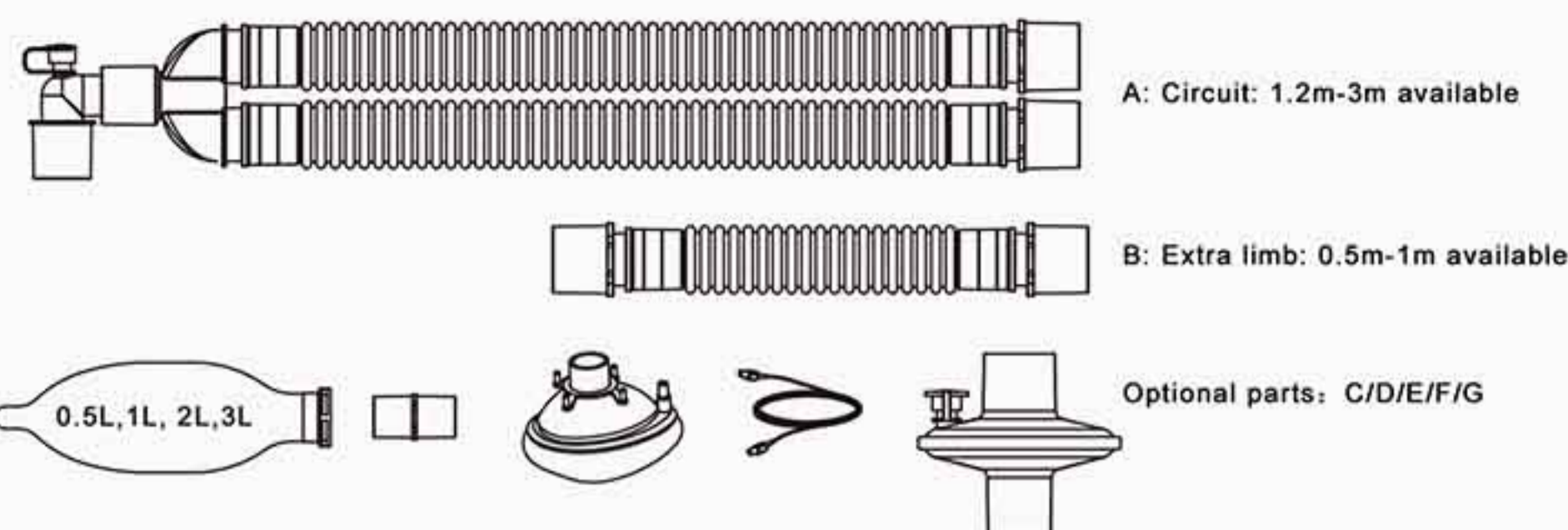
Tracheostomy Filter (HME)

In mechanical ventilation or anaesthesia the patient's upper airway may be bypassed by the introduction of a tracheostomy tube. As a result the patient's lungs may be confronted with dry inspired gas. HMEs are designed to replicate the functions of the upper airway conserving the patient's own expired heat and moisture and returning these to the patient during inspiration.



HME	HME Trach-01	HME Trach-02	HME Trach-03	HME Trach-04
Description	HME Trach-01	HME Trach-02	HME Trach-03	HME Trach-04
REF No.	98.05.051	98.05.053	98.05.055	98.05.057
Material	PP/paper	PP/paper	PP/paper	PP/foam
Pressure Drop @30LPM	50Pa	50Pa	50Pa	50Pa
Tidal Volume	200-1000 ml	200-1000 ml	200-1000 ml	200-1000 ml
Dead Space	60 ml	60 ml	30 ml	35 ml
Weight	9 g	7 g	5 g	5 g
Connector	15F	15F	15F	15F
Package	300 PCS/CTN	300 PCS/CTN	300 PCS/CTN	300 PCS/CTN

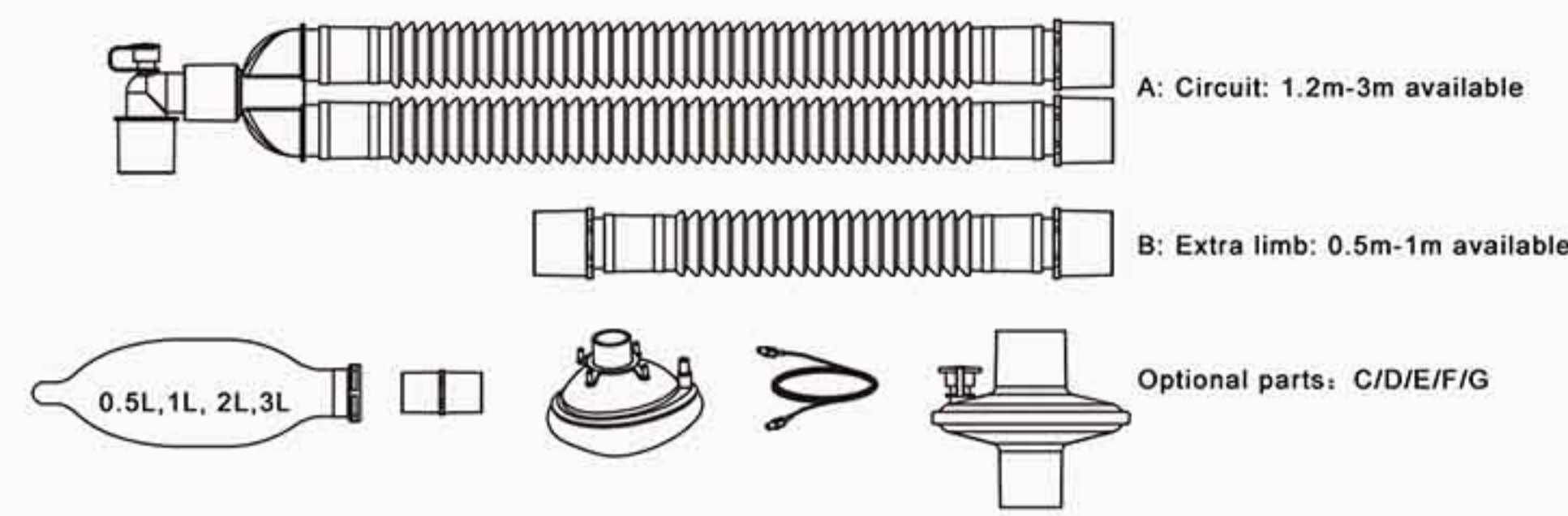
Anesthesia Circuits -Corrugated



C: Breathing bag D: Connector E: Anesthesia mask F: Sampling line G: Breathing filter (BVF, HMEF)

Size	REF No.	Length	Configuration
Corrugated, Adult (Tube ID22 mm)	98.06.151	0.5-3 m	A:1 set
	98.06.154	0.5-3 m	A:1 set + C
	98.06.155	Any length	A:1 set + G
	98.06.156	Customized	A:1 set + C + G
	98.06.157	Customized	A:1 set + C + E + G
Corrugated, Pediatric (Tube ID15 mm)	98.06.143	0.5-3 m	A:1 set
	98.06.146	0.5-3 m	A:1 set + C
	98.06.147	Any length	A:1 set + G
	98.06.148	Customized	A:1 set + C + G
	98.06.149	Customized	A:1 set + C + E + G
Corrugated, Neonate (Tube ID10 mm)	98.06.167	0.5-3 m	A:1 set
	98.06.170	0.5-3 m	A:1 set + C
	98.06.171	Any length	A:1 set + G
	98.06.172	Customized	A:1 set + C + G
	98.06.173	Customized	A:1 set + C + E + G

Anesthesia Circuits -Expandable



C: Breathing bag D: Connector E: Anesthesia mask F: Sampling line G: Breathing filter (BVF, HMEF)

Size	REF No.	Length	Configuration
Expandable, Adult (Tube ID22 mm)	98.06.119	0.5-3 m	A:1 set
	98.06.122	0.5-3 m	A:1 set + C
	98.06.123	Any length	A:1 set + G
	98.06.124	Customized	A:1 set + C + G
	98.06.125	Customized	A:1 set + C + E + G
Expandable, Pediatric (Tube ID15 mm)	98.06.111	0.5-3 m	A:1 set
	98.06.114	0.5-3 m	A:1 set + C
	98.06.115	Any length	A:1 set + G
	98.06.116	Customized	A:1 set + C + G
	98.06.117	Customized	A:1 set + C + E + G
Expandable, Neonate (Tube ID10 mm)	98.06.135	0.5-3 m	A:1 set
	98.06.138	0.5-3 m	A:1 set + C
	98.06.139	Any length	A:1 set + G
	98.06.140	Customized	A:1 set + C + G
	98.06.141	Customized	A:1 set + C + E + G

FEATURES & BENEFIT

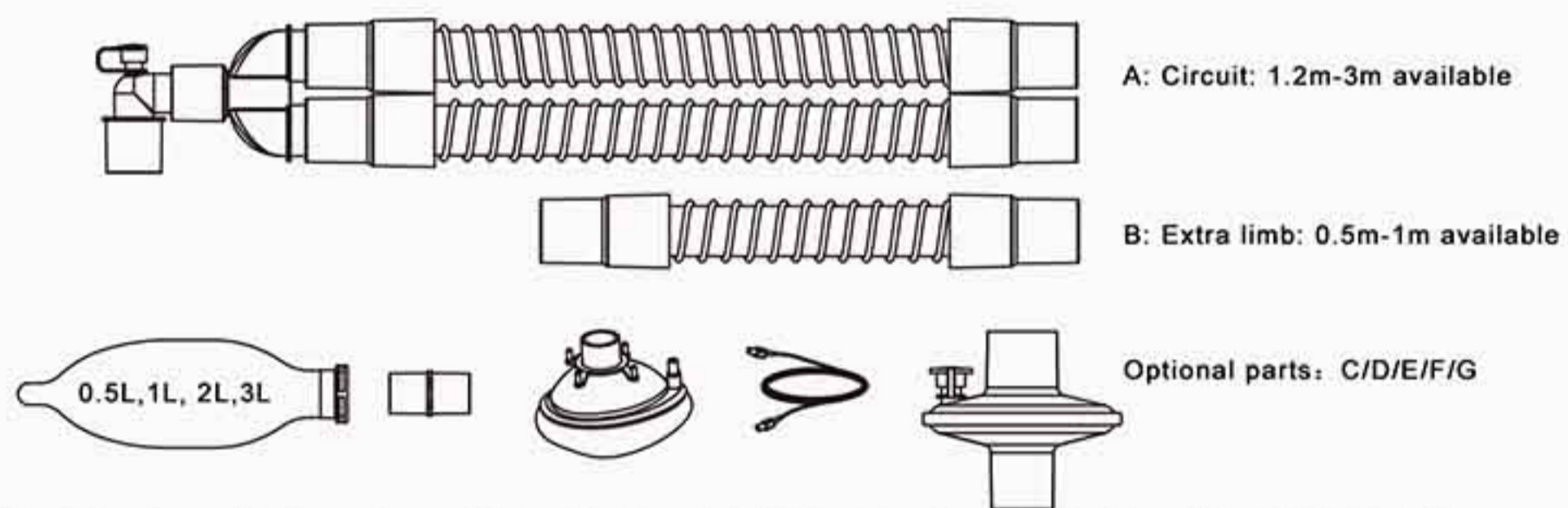
- 1 set of circuit (A) include: 2 tubes, 2 straight connectors, 1 Y-connector, 1 Elbow connector, 1 Luer cap
- Size: Adult (ID22mm), Pediatric(ID15mm), Neonate (ID10mm)
- Length: 0.5-3 meters, any length customized
- Tube type: Corrugated, Expandable, Smoothbore
- Application: Used for anesthesia machine and ventilator, to build an artificial airway for patients
- Optional parts: Anesthesia mask, Breathing bag, BVF/HME filter, catheter mount, extra limb, sampling line, airway cannula, etc.

Anesthesia Circuits -Co-axial circuit



Type	REF No.	Length	Specification
Co-axial Circuit	96.06.413	1.5m	1 Corrugated Co-axial Tube+ 1 Straight Connectors+ 1 T connector +1 Elbow Connector + 1 Luer Cap + 1 limb (30cm) with 1 connector
	96.06.415	1.8m	1 Corrugated Co-axial Tube+ 1 Straight Connectors+ 1 T connector +1 Elbow Connector + 1 Luer Cap + 1 limb (30cm) with 1 connector
	98.06.417	2.1m	1 Corrugated Co-axial Tube+ 1 Straight Connectors+ 1 T connector +1 Elbow Connector + 1 Luer Cap + 1 limb (30cm) with 1 connector
	98.06.419	2.4m	1 Corrugated Co-axial Tube+ 1 Straight Connectors+ 1 T connector +1 Elbow Connector + 1 Luer Cap + 1 limb (30cm) with 1 connector

Anesthesia Circuits -Smoothbore



C: Breathing bag D: Connector E: Anesthesia mask F: Sampling line G: Breathing filter (BVF, HMEF)

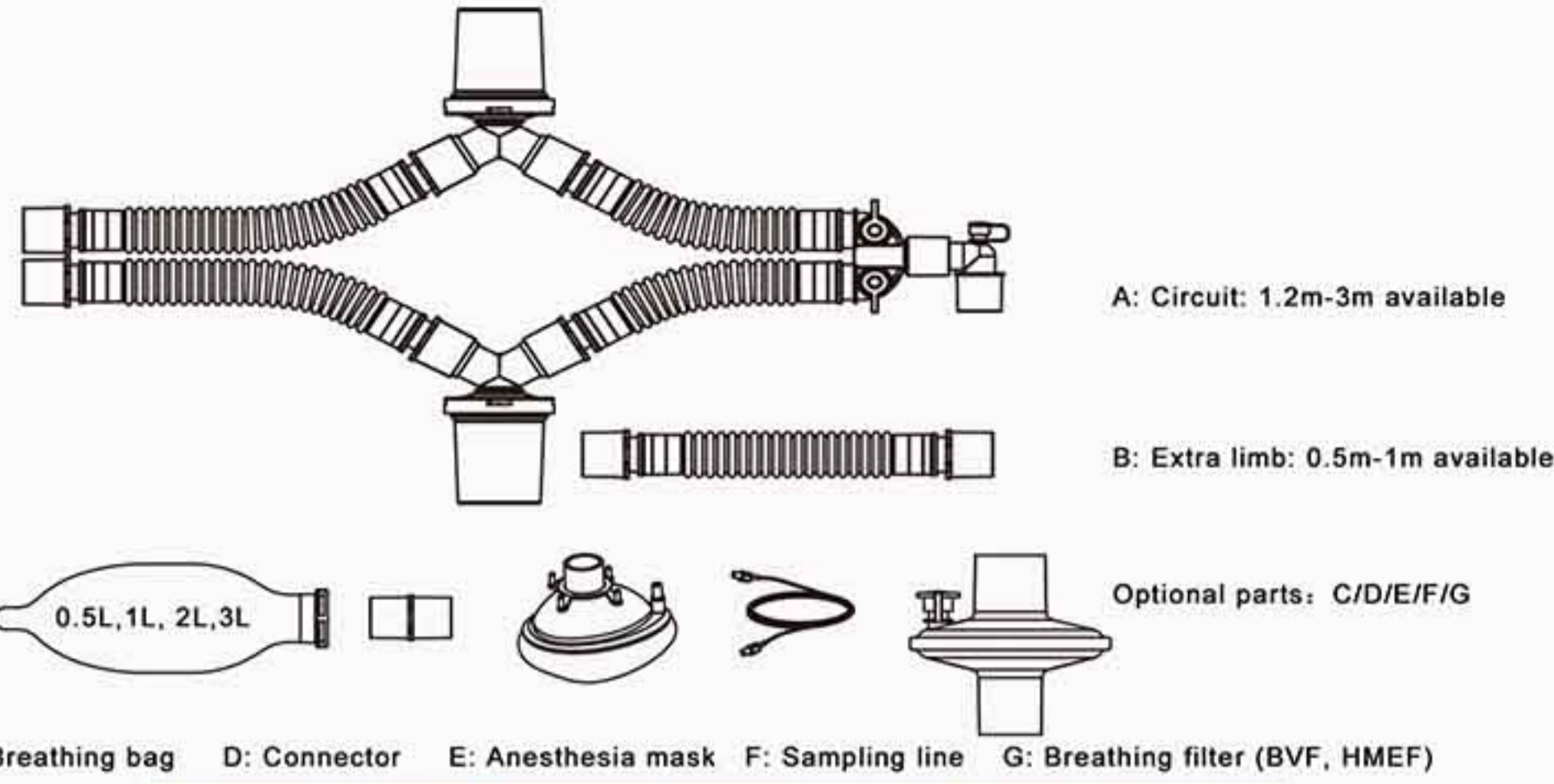
Size	REF No.	Length	Configuration
Smoothbore, Adult (Tube ID22 mm)	98.06.219	0.5-3 m	A:1 set
	98.06.222	0.5-3 m	A:1 set + C
	98.06.223	Any length	A:1 set + G
	98.06.224	Customized	A:1 set + C + G
	98.06.225	Customized	A:1 set + C + E + G
Smoothbore, Pediatric (Tube ID15 mm)	98.06.211	0.5-3 m	A:1 set
	98.06.214	0.5-3 m	A:1 set + C
	98.06.215	Any length	A:1 set + G
	98.06.216	Customized	A:1 set + C + G
	98.06.217	Customized	A:1 set + C + E + G
Smoothbore, Neonate (Tube ID10 mm)	98.06.235	0.5-3 m	A:1 set
	98.06.238	0.5-3 m	A:1 set + C
	98.06.239	Any length	A:1 set + G
	98.06.240	Customized	A:1 set + C + G
	98.06.241	Customized	A:1 set + C + E + G

Anesthesia Circuits -Duo limb circuit



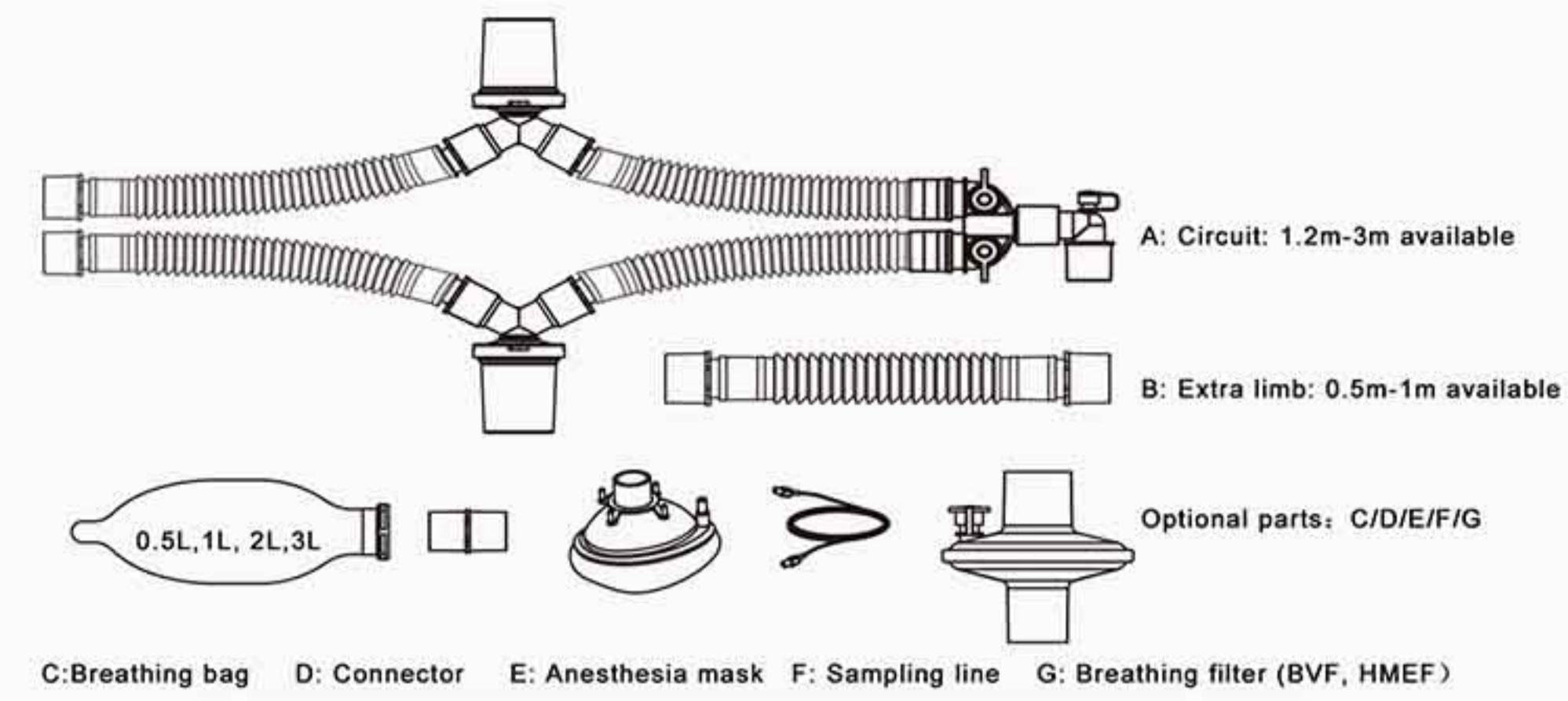
Type	REF No.	Length	Specification
Duo-limb Circuit	98.06.423	1.5m	1 Corrugated Duo-limb Tube+ 1 Straight Connectors+ 1 T connector +1 Elbow Connector + 1 Luer Cap + 1 limb (30cm) with 1 connector
	98.06.425	1.8m	1 Corrugated Duo-limb Tube+ 1 Straight Connectors+ 1 T connector +1 Elbow Connector + 1 Luer Cap + 1 limb (30cm) with 1 connector
	98.06.427	2.1m	1 Corrugated Duo-limb Tube+ 1 Straight Connectors+ 1 T connector +1 Elbow Connector + 1 Luer Cap + 1 limb (30cm) with 1 connector
	98.06.429	2.4m	1 Corrugated Duo-limb Tube+ 1 Straight Connectors+ 1 T connector +1 Elbow Connector + 1 Luer Cap + 1 limb (30cm) with 1 connector

Ventilator Circuits -Corrugated



Size	REF No.	Length	Configuration
Corrugated, Adult (Tube ID22 mm)	98.06.319	0.5-3 m	A:1 set
	98.06.322	0.5-3 m	A:1 set + C
	98.06.323	Any length	A:1 set + G
	98.06.324	Customized	A:1 set + C + G
Corrugated, Pediatric (Tube ID15 mm)	98.06.325	0.5-3 m	A:1 set + C + E + G
	98.06.311	0.5-3 m	A:1 set
	98.06.314	0.5-3 m	A:1 set + C
	98.06.315	Any length	A:1 set + G
Corrugated, Neonate (Tube ID10 mm)	98.06.316	0.5-3 m	A:1 set + C + G
	98.06.317	0.5-3 m	A:1 set + C + E + G
	98.06.343	0.5-3 m	A:1 set
	98.06.346	0.5-3 m	A:1 set + C
Expandable, Adult (Tube ID22 mm)	98.06.347	Any length	A:1 set + G
	98.06.348	Customized	A:1 set + C + G
	98.06.349	Customized	A:1 set + C + E + G

Ventilator Circuits -Expandable



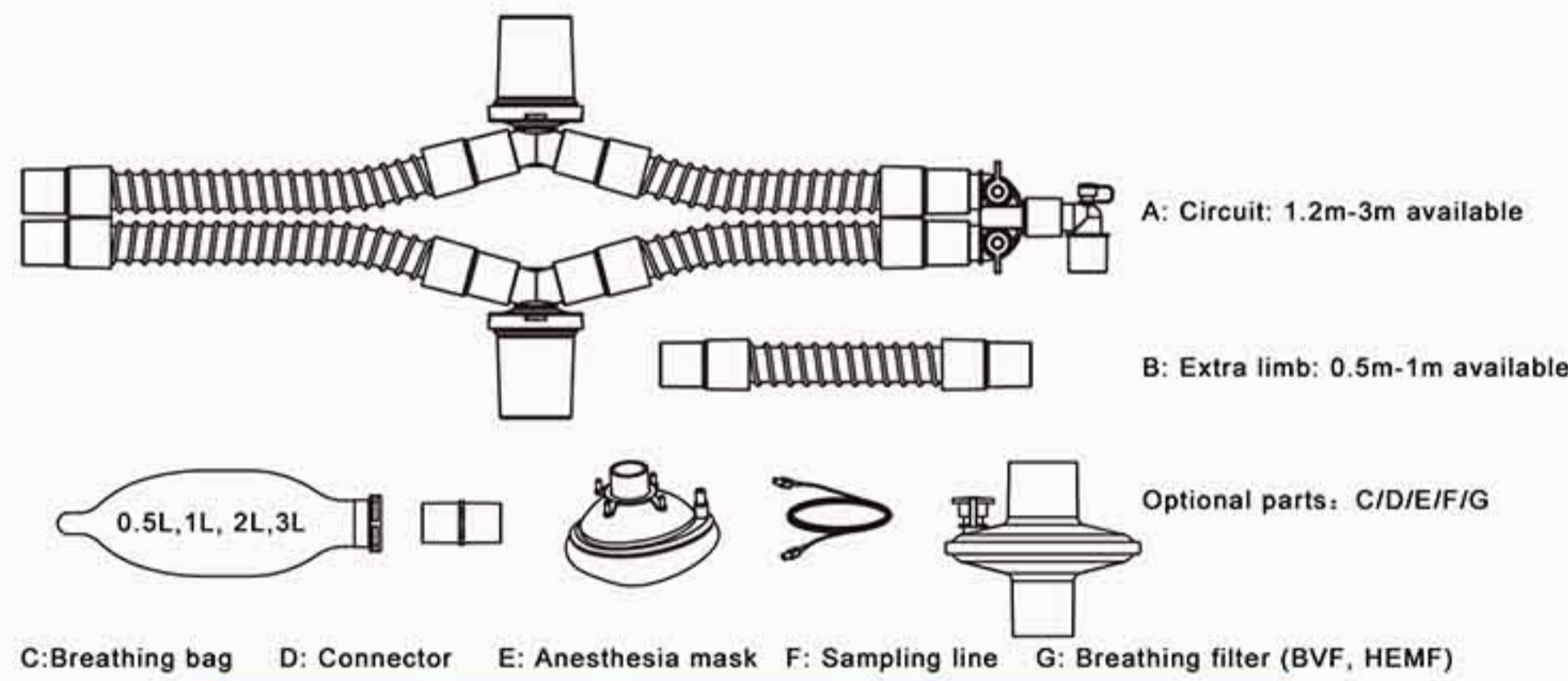
Size	REF No.	Length	Configuration
Expandable, Adult (Tube ID22 mm)	98.06.619	0.5-3 m	A:1 set
	98.06.622	0.5-3 m	A:1 set + C
	98.06.623	Any length	A:1 set + G
	98.06.624	Customized	A:1 set + C + G
Expandable, Pediatric (Tube ID15 mm)	98.06.625	0.5-3 m	A:1 set + C + E + G
	98.06.611	0.5-3 m	A:1 set
	98.06.614	0.5-3 m	A:1 set + C
	98.06.615	Any length	A:1 set + G
Expandable, Neonate (Tube ID10 mm)	98.06.616	0.5-3 m	A:1 set + C + G
	98.06.617	0.5-3 m	A:1 set + C + E + G
	98.06.643	0.5-3 m	A:1 set
	98.06.646	0.5-3 m	A:1 set + C
Expandable, Neonate (Tube ID10 mm)	98.06.647	Any length	A:1 set + G
	98.06.648	Any length	A:1 set + C + G
	98.06.649	Customized	A:1 set + C + E + G



FEATURES & BENEFIT

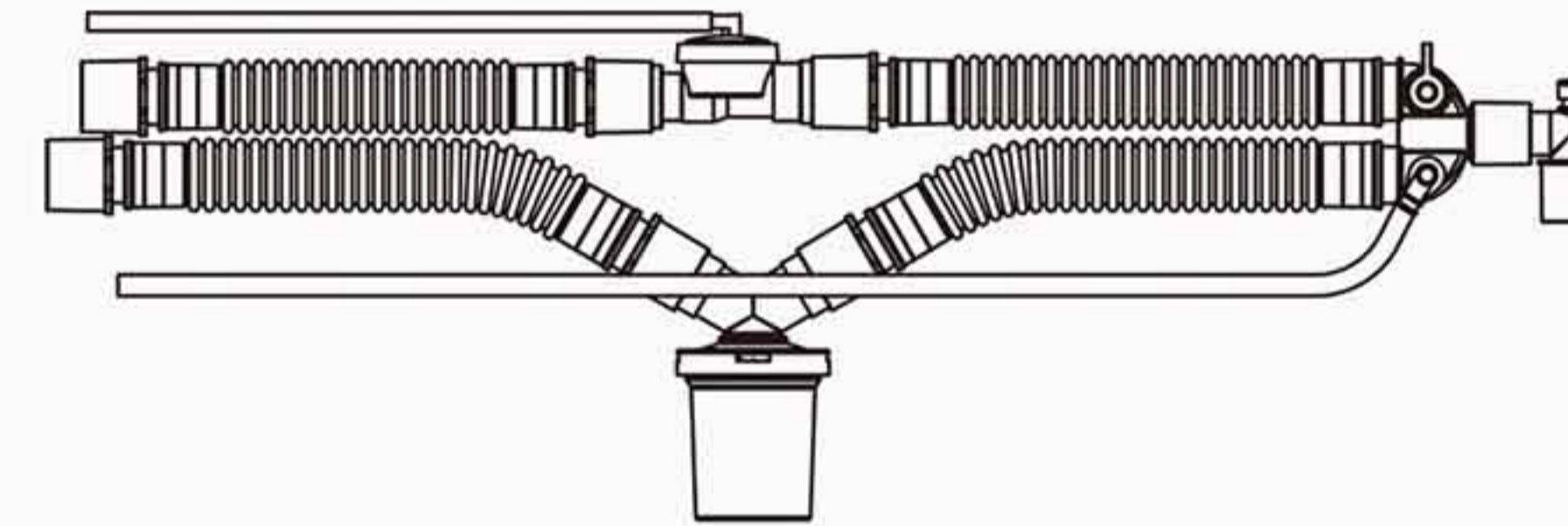
- 1 set of circuit (A) include: 4 tubes, 2 straight connectors, 1 Y-connector, 1 Elbow connector with Luer cap, 2 watertraps
- Size: Adult (ID22mm), Pediatric (ID15mm), Neonate (ID10mm)
- Length: 0.5-3 meters, any length customized
- Tube type: Corrugated, Expandable, Smoothbore
- Application: Used for ventilator, to build an artificial airway for patients
- Optional parts: Anesthesia mask, Breathing bag, BVF/HME filter, catheter mount, extra limb, sampling line, airway

Ventilator Circuits -Smoothbore



Size	REF No.	Length	Configuration
Smoothbore, Adult (Tube ID22 mm)	98.06.369	0.5-3 m	A:1 set
	98.06.372	0.5-3 m	A:1 set + C
	98.06.373	Any length	A:1 set + G
	98.06.374	Customized	A:1 set + C + G
Smoothbore, Pediatric (Tube ID15 mm)	98.06.375	0.5-3 m	A:1 set + C + E + G
	98.06.361	0.5-3 m	A:1 set
	98.06.364	0.5-3 m	A:1 set + C
	98.06.365	Any length	A:1 set + G
Smoothbore, Neonate (Tube ID10 mm)	98.06.366	0.5-3 m	A:1 set + C + G
	98.06.367	0.5-3 m	A:1 set + C + E + G
	98.06.385	0.5-3 m	A:1 set
	98.06.388	0.5-3 m	A:1 set + C
Smoothbore, Neonate (Tube ID10 mm)	98.06.389	Any length	A:1 set + G
	98.06.390	Any length	A:1 set + C + G
	98.06.391	Customized	A:1 set + C + E + G

Ventilator Circuits -Exhalation Valve



Type	REF No.	Length	Specification
Ventilator Circuit Exhalation Valve	96.06.713	1.2-3m	3 Corrugated Tubes, adult + 1 T Connector with one way valve + 1 Pressure line + 2 Straight Connectors+ 1 Y connector +1 Elbow Connector with sampling line + 1 Elbow Connector with Luer Cap
	96.06.715	1.2-3m	4 Corrugated Tubes, adult + 1 T Connector with one way valve + 1 Pressure line + 2 Straight Connectors+ 1 Y connector +1 Elbow Connector with sampling line + 1 Elbow Connector with Luer Cap +1 water trap



Reusable Silicone Breathing Circuits



Ventilator circuits



Anesthesia circuits



B: Extra limb: 0.2m-3m available



C: Breathing bag: 0.5L/1L/2L/3L



D: Straight connector



E: Anesthesia mask

Catheter Mount -Elbow Connector



Smoothbore



Corrugated



Expandable

Type	REF No.	Length	Specification
Catheter mount -Expandable	98.06.525	10cm	1 Double Swivel Elbow Connector 22M/15F with luer cap + 1 Expandable Tube 10cm+ 1 Straight Connector 22F or 15M
	98.06.527	15cm	1 Double Swivel Elbow Connector 22M/15F with luer cap + 1 Expandable Tube 15cm+ 1 Straight Connector 22F or 15M
	98.06.531	20cm	1 Double Swivel Elbow Connector 22M/15F with luer cap + 1 Expandable Tube 20cm+ 1 Straight Connector 22F or 15M
Catheter mount -Corrugated	98.06.533	10cm	1 Double Swivel Elbow Connector 22M/15F with luer cap + 1 Corrugated Tube 10cm+ 1 Straight Connector 22F or 15M
	98.06.535	15cm	1 Double Swivel Elbow Connector 22M/15F with luer cap + 1 Corrugated Tube 15cm+ 1 Straight Connector 22F or 15M
	98.06.539	20cm	1 Double Swivel Elbow Connector 22M/15F with luer cap + 1 Corrugated Tube 20cm+ 1 Straight Connector 22F or 15M
Catheter mount -Smoothbore	98.06.541	10cm	1 Double Swivel Elbow Connector 22M/15F with luer cap + 1 Smoothbore Tube 10cm+ 1 Straight Connector 22F or 15M
	98.06.543	15cm	1 Double Swivel Elbow Connector 22M/15F with luer cap + 1 Smoothbore Tube 15cm+ 1 Straight Connector 22F or 15M
	98.06.547	20cm	1 Double Swivel Elbow Connector 22M/15F with luer cap + 1 Smoothbore Tube 20cm+ 1 Straight Connector 22F or 15M

Catheter Mount -Straight Connector



Smoothbore



Corrugated



Expandable

Type	REF No.	Length	Specification
Catheter mount -Expandable	98.06.502	10cm	1 Straight Connector 22M/15F + 1 Expandable Tube 10cm+ 1 Straight Connector 22F or 15M
	98.06.503	15cm	1 Straight Connector 22M/15F + 1 Expandable Tube 15cm+ 1 Straight Connector 22F or 15M
	98.06.507	20cm	1 Straight Connector 22M/15F + 1 Expandable Tube 20cm+ 1 Straight Connector 22F or 15M
Catheter mount -Corrugated	98.06.509	10cm	1 Straight Connector 22M/15F + 1 Corrugated Tube 10cm+ 1 Straight Connector 22F or 15M
	98.06.511	15cm	1 Straight Connector 22M/15F + 1 Corrugated Tube 15cm+ 1 Straight Connector 22F or 15M
	98.06.515	20cm	1 Straight Connector 22M/15F + 1 Corrugated Tube 20cm+ 1 Straight Connector 22F or 15M
Catheter mount -Smoothbore	98.06.517	10cm	1 Straight Connector 22M/15F + 1 Smoothbore Tube 10cm+ 1 Straight Connector 22F or 15M
	98.06.519	15cm	1 Straight Connector 22M/15F + 1 Smoothbore Tube 15cm+ 1 Straight Connector 22F or 15M
	98.06.523	20cm	1 Straight Connector 22M/15F + 1 Smoothbore Tube 20cm+ 1 Straight Connector 22F or 15M

FEATURES & BENEFIT

• 1 set of circuit (Part A) include: 4 tubes (ventilator circuits)/2 tubes (anesthesia circuits), 1 Y-connector, 1 Elbow connector with Luer cap, 2 watertraps (only for ventilator circuits)

• Size: Adult (ID22mm), Pediatric(ID15mm),Neonate (ID10mm)



Y-connector Watertrap Elbow-connector

• Length: 0.5-3 meters, any length customized

• Can be sterilized by autoclave (121°C, 20min, 102.9kPa, or 132-134°C, 4min, 205.8kPa)

• Endure high temperature and high pressure disinfection

• Optional parts: Anesthesia mask, breathing bag, catheter mount, extra limb, sampling line,water trap, etc.

1. Reusable silicone ventilator circuits

2. Reusable silicone anesthesia circuits

Size	REF No.	Length	Configuration
Ventilator circuit, Adult (Tube ID22 mm)	98.06.819	0.2-3 m	A:1 set
	98.06.822	0.2-3 m	A:1 set + C
	98.06.823	Any length	A:1 set + E
	98.06.824	Customized	A:1 set + C + E
	98.06.825	Customized	A:1 set + B + C + E
Ventilator circuit, Pediatric (Tube ID15 mm)	98.06.811	0.2-3 m	A:1 set
	98.06.814	0.2-3 m	A:1 set + C
	98.06.815	Any length	A:1 set + E
	98.06.816	Customized	A:1 set + C + E
	98.06.817	Customized	A:1 set + B + C + E
Ventilator circuit, Neonate (Tube ID10 mm)	98.06.843	0.2-3 m	A:1 set
	98.06.846	0.2-3 m	A:1 set + C
	98.06.847	Any length	A:1 set + E
	98.06.848	Customized	A:1 set + C + E
	98.06.849	Customized	A:1 set + B + C + E

Size	REF No.	Length	Configuration
Anesthesia circuit, Adult (Tube ID22 mm)	98.06.869	0.2-3 m	A:1 set
	98.06.872	0.2-3 m	A:1 set + C
	98.06.873	Any length	A:1 set + E
	98.06.874	Customized	A:1 set + C + E
	98.06.875	Customized	A:1 set + B + C + E
Anesthesia circuit, Pediatric (Tube ID15 mm)	98.06.861	0.2-3 m	A:1 set
	98.06.864	0.2-3 m	A:1 set + C
	98.06.865	Any length	A:1 set + E
	98.06.866	Customized	A:1 set + C + E
	98.06.867	Customized	A:1 set + B + C + E
Anesthesia circuit, Neonate (Tube ID10 mm)	98.06.885	0.2-3 m	A:1 set
	98.06.888	0.2-3 m	A:1 set + C
	98.06.889	Any length	A:1 set + E
	98.06.890	Customized	A:1 set + C + E
	98.06.891	Customized	A:1 set + B + C + E

Oropharyngeal Airway



Guedel Airway

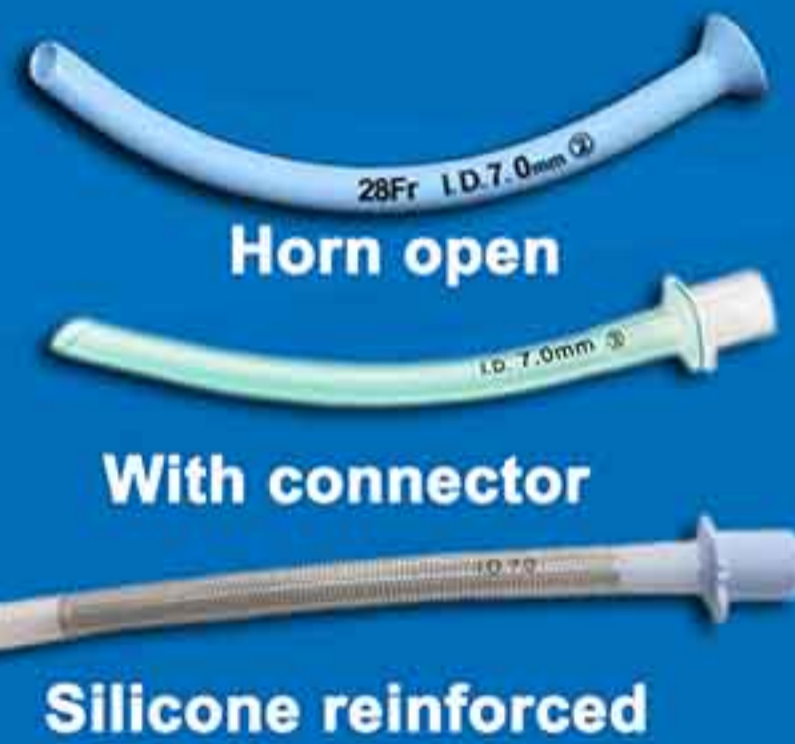
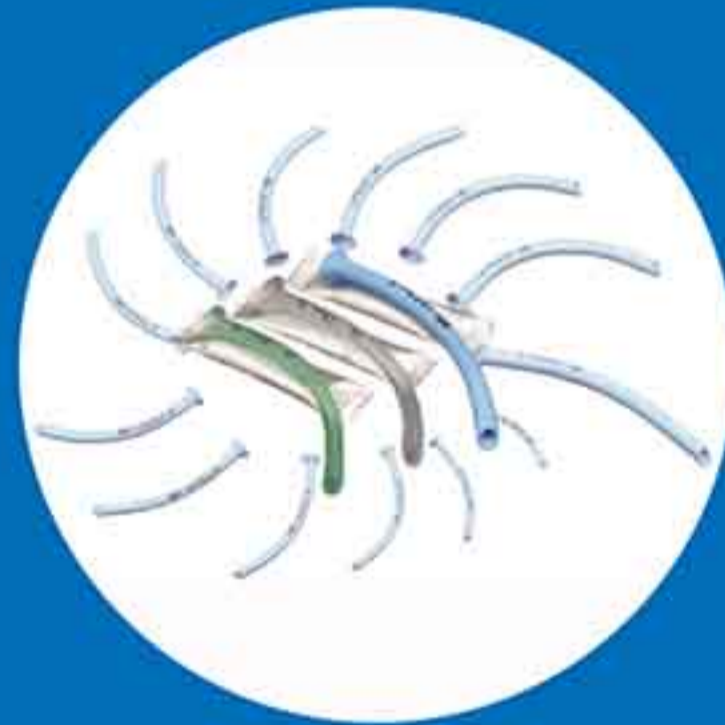


Berman Airway

Type	REF No.	Size	Type	REF. No.	Size
Guedel Airway	98. 13. 007	40mm/000#	Berman Airway	98. 13. 037	40mm/000#
	98. 13. 011	50mm/00#		98. 13. 041	50mm/00#
	98. 13. 015	60mm/0#		98. 13. 045	60mm/0#
	98. 13. 019	70mm/1#		98. 13. 049	70mm/1#
	98. 13. 021	80mm/2#		98. 13. 051	80mm/2#
	98. 13. 023	90mm/3#		98. 13. 053	90mm/3#
	98. 13. 025	100mm/4#		98. 13. 055	100mm/4#
	98. 13. 027	110mm/5#		98. 13. 057	110mm/5#
98. 13. 029	120mm/6#	98. 13. 059	120mm/6#		



Nasopharyngeal Airway



Type	REF No.	Size	Type	REF. No.	Size	Type	REF. No.	Size
Horn open	98. 13. 104	3. 0mm/12Fr	With Connector	98. 13. 204	3. 0mm/12Fr	Silicone reinforced	98. 13. 304	3. 0mm/12Fr
	98. 13. 106	3. 5mm/14Fr		98. 13. 206	3. 5mm/14Fr		98. 13. 306	3. 5mm/14Fr
	98. 13. 108	4. 0mm/16Fr		98. 13. 208	4. 0mm/16Fr		98. 13. 308	4. 0mm/16Fr
	98. 13. 110	4. 5mm/18Fr		98. 13. 210	4. 5mm/18Fr		98. 13. 310	4. 5mm/18Fr
	98. 13. 112	5. 0mm/20Fr		98. 13. 212	5. 0mm/20Fr		98. 13. 312	5. 0mm/20Fr
	98. 13. 114	5. 5mm/22Fr		98. 13. 214	5. 5mm/22Fr		98. 13. 314	5. 5mm/22Fr
	98. 13. 116	6. 0mm/24Fr		98. 13. 216	6. 0mm/24Fr		98. 13. 316	6. 0mm/24Fr
	98. 13. 118	6. 5mm/26Fr		98. 13. 218	6. 5mm/26Fr		98. 13. 318	6. 5mm/26Fr
	98. 13. 120	7. 0mm/28Fr		98. 13. 220	7. 0mm/28Fr		98. 13. 320	7. 0mm/28Fr
	98. 13. 122	7. 5mm/30Fr		98. 13. 222	7. 5mm/30Fr		98. 13. 322	7. 5mm/30Fr
	98. 13. 124	8. 0mm/32Fr		98. 13. 224	8. 0mm/32Fr		98. 13. 324	8. 0mm/32Fr
	98. 13. 126	8. 5mm/34Fr		98. 13. 226	8. 5mm/34Fr		98. 13. 326	8. 5mm/34Fr
	98. 13. 128	9. 0mm/36Fr		98. 13. 228	9. 0mm/36Fr		98. 13. 328	9. 0mm/36Fr

Anesthesia Face Mask

- 100% latex-free
- ISO standard connectors for secure connection
- Inflation valve for each cushion pressure adjustment
- Soft air cushion, good sealing, comfortable
- Transparent cone for excellent visibility

1, Anesthesia face mask- horizontal valve



Size	REF No.	Hook Color	Connector
0#, Neonatal	98. 14. 016	...	15mm OD
1#, Infant	98. 14. 017	...	15mm OD
2#, Pediatric	98. 14. 018	Yellow	22mm ID
3#, Adult small	98. 14. 019	Green	22mm ID
4#, Adult Medium	98. 14. 020	Red	22mm ID
5#, Adult Large	98. 14. 021	Blue	22mm ID
6#, Adult XL	98. 14. 022	Pink	22mm ID

2, Anesthesia face mask- Valve up



Size	REF No.	Hook Color	Connector
0#, Neonatal	98. 14. 003	...	15mm OD
1#, Infant	98. 14. 005	...	15mm OD
2#, Pediatric	98. 14. 007	Yellow	22mm ID
3#, Adult small	98. 14. 009	Green	22mm ID
4#, Adult Medium	98. 14. 011	Red	22mm ID
5#, Adult Large	98. 14. 013	Blue	22mm ID
6#, Adult XL	98. 14. 015	Pink	22mm ID

3, Anesthesia face mask- non valve



Size	REF No.	Connector
0#, Neonatal	98. 14. 036	15mm OD
1#, Infant	98. 14. 037	15mm OD
2#, Pediatric	98. 14. 038	22mm ID
3#, Adult small	98. 14. 039	22mm ID
4#, Adult Medium	98. 14. 040	22mm ID
5#, Adult Large	98. 14. 041	22mm ID
6#, Adult XL	98. 14. 042	22mm ID

4, Anesthesia face mask- silicone

- 100% latex-free and reusable
- ISO standard connectors for secure connection
- Transparent for visual check, vomiting and spontaneous breathing
- All models are reusable and can be autoclaved at 134 °C



Size	REF No.	Connector
0#, Neonatal	98. 14. 046	15mm OD
1#, Infant	98. 14. 047	15mm OD
2#, Pediatric	98. 14. 048	22mm ID
3#, Adult small	98. 14. 049	22mm ID
4#, Adult Medium	98. 14. 050	22mm ID
5#, Adult Large	98. 14. 051	22mm ID
6#, Adult XL	98. 14. 052	22mm ID

Resuscitator -PVC

PVC Manual Resuscitator

1. This product is intended for pulmonary resuscitation for patients.
2. The accessories includes PVC mask (1), oxygen tubing (1), reservoir bag (1), opener (1) and airways (3).
3. For single use only, 100% latex free.



Item Name	REF No.	Description	Size
PVC Manual Resuscitator	98.14.401	PVC mask (1), oxygen tubing (1),	Adult-L
	98.14.403	reservoir bag (1), opener (1) and	Pediatric-M
	98.14.405	airways (3)	Infant-S

Resuscitator -Silicone

Silicone Manual Resuscitator

1. The product includes silicone resuscitator (1), silicone face mask (1), oxygen tube(1), reservoir bag(1),airways (3) and mouth opener (1), Mainly used for pulmonary resuscitation and artificial respiration.
2. Three sizes available, suitable for adult, child and infant.
3. Can be repeated use, 100% latex free.



Item Name	REF No.	Description	Size
Silicone Manual Resuscitator	98.14.421	silicone resuscitator (1), silicone	Adult-L
	98.14.423	face mask (1), oxygen tube(1),	Pediatric-M
	98.14.425	reservoir bag(1), airways (3) and mouth opener (1)	Infant-S

CPAP/BiPAP Mask

Material: Silicone

REF No. 98.14.501 98.14.503

Size: M L

Usage: Invasive / ninvasive Ventilator

Capacity: 1000pcs/Day

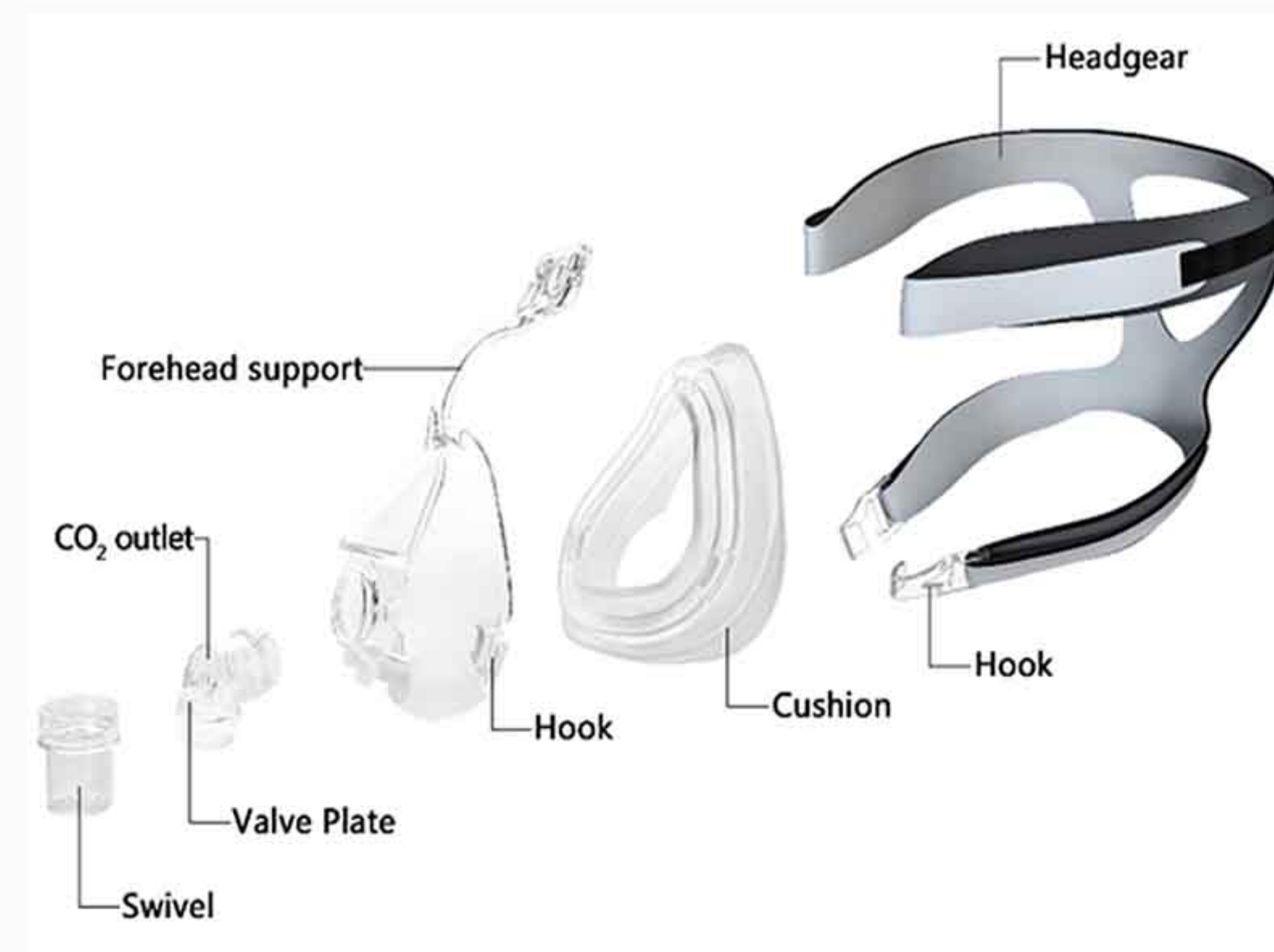
Feature: Full face mask

- 1, Standard elbow, with CO2 out-let, with anti-asphyxia valve
- 2, With Forehead support, with 2 separate pads
- 3, Head gear with clip, easy to wear and release.

Product Weight: 0.17KG

Packing Details:

35pcs/CTN, 50*40*40cm, 7.8KGS



Oxygen mask -Simple

- Made of clear, medical grade PVC
- With adjustable nose clip, elastic strap and latex free
- Medium concentration, approx 50%
- Color: green transparent, white transparent or light blue transparent
- Length: with 2m tubing, different length can be customized
- Anit-crush tube



Size	REF No.
XS, Neonate	98.14.200
S, Standard child	98.14.201
M, Elongated child	98.14.202
L, Adult asia	98.14.203
L+, Adult Europe	98.14.204
XL, Elongated adult	98.14.205

Venturi mask -Simple

- Made of clear, medical grade PVC
- With adjustable nose clip, elastic strap and latex free
- 2 color coded diluters for seven concentrations
- Green diluter for 24%(3L/min), 26%(3L/min), 28%(6L/min), 30%(6L/min), white diluter for 35%(9L/min), 40%(12L/min), 50%(15L/min)
- Color: green transparent, white transparent or light blue transparent
- Length: with 2m tubing, different length can be customized
- Anit-crush tube



Size	REF No.
XS, Neonate	98.14.230
S, Standard child	98.14.231
M, Elongated child	98.14.232
L, Adult asia	98.14.233
L+, Adult Europe	98.14.234
XL, Elongated adult	98.14.235

Oxygen mask -with reservoir bag

- Oxygen Mask with Reservoir Bag
- Made of clear, medical grade PVC
- With reservoir bag
- With adjustable nose clip, elastic strap and latex free
- Color: green transparent, white transparent or light blue transparent
- Length: with 2m tubing, different length can be customized
- Anit-crush tube



Size	REF No.
XS, Neonate	98.14.210
S, Standard child	98.14.211
M, Elongated child	98.14.212
L, Adult asia	98.14.213
L+, Adult Europe	98.14.214
XL, Elongated adult	98.14.215

Venturi mask -Adjustable

- Made of clear, medical grade PVC
- With adjustable nose clip, elastic strap and latex free
- 2 color coded diluters for seven concentrations
- Single diluter for one concentration, six diluters can be selected: 24%(4L/min)-blue, 28%(4L/min)-yellow, 31%(6L/min)-white, 35%(8L/min)-green, 40%(8L/min)-pink, 50%(10L/min)-orange
- Color: green transparent, white transparent or light blue transparent
- Length: with 2m tubing, different length can be customized
- Anit-crush tube



Size	REF No.
XS, Neonate	98.14.240
S, Standard child	98.14.241
M, Elongated child	98.14.242
L, Adult asia	98.14.243
L+, Adult Europe	98.14.244
XL, Elongated adult	98.14.245

Nebulizer mask

- Made of clear, medical grade PVC
- Operates even at horizontal position capacity:6cc
- Disinfected with boiling water (only for jar)
- Different type of nebulizer jars are available
- With adjustable nose clip, elastic strap and latex free
- Color: green transparent, white transparent or light blue transparent
- Length: with 2m tubing, different length can be customized
- Anit-crush tube



Size	REF No.
XS, Neonate	98.14.220
S, Standard child	98.14.221
M, Elongated child	98.14.222
L, Adult asia	98.14.223
L+, Adult Europe	98.14.224
XL, Elongated adult	98.14.225

Nasal oxygen cannula -Simple, with CO2 line

- Made of clear, medical grade PVC
- Soft prong, Straight prong, curved prong is available
- Color: green transparent, white transparent or light blue transparent
- Length: with 2m tubing, different length can be customized
- Anit-crush tube

Simple



Size	REF No.
Curved Prong, S(Pediatric)	98.14.250
Curved Prong, L(Adult)	98.14.251
Straight Prong, XXS(Neonate)	98.14.252
Straight Prong, XS(Infant)	98.14.253
Straight Prong, S(Pediatric)	98.14.254
Straight Prong, L(Adult)	98.14.255
Soft Prong, XXS(Neonate)	98.14.256
Soft Prong, XS(Infant)	98.14.257
Soft Prong, S(Pediatric)	98.14.258
Soft Prong, L(Adult)	98.14.259

with CO2 line



Size	REF No.
Curved Prong, S(Pediatric)	98.14.260
Curved Prong, L(Adult)	98.14.261
Straight Prong, XXS(Neonate)	98.14.262
Straight Prong, XS(Infant)	98.14.263
Straight Prong, S(Pediatric)	98.14.264
Straight Prong, L(Adult)	98.14.265
Soft Prong, XXS(Neonate)	98.14.266
Soft Prong, XS(Infant)	98.14.267
Soft Prong, S(Pediatric)	98.14.268
Soft Prong, L(Adult)	98.14.269

Foley Catheter -silicone



Foley catheter-2 ways



Foley catheter-3 ways

100% silicone foley catheter

1. Made from medical class silicone, transparent, soft and smooth
2. Radio opaque X-ray line
3. High volume balloon
4. Be used for short and long-term urination during the surgical procedures
5. 2 ways or 3 ways

Type	Size	REF No.	O. D. (±0.3) mm	Overall Length, mm	Color Code	Balloon capacity (ml)	
2 ways	6	98.18.005	5.3	310±10mm	Pink	1.5/3	
	8	98.18.006	6.0		Black	3-5/5	
	10	98.18.007	6.7		Gray	3-5/5	
	12	98.18.008	7.3		White	5/10/15/30	
	3 ways	14	98.18.009	8.0	400±10mm	Green	5/10/15/30
		16	98.18.010	8.7		Orange	5/10/15/30
		18	98.18.011	5.3		Red	5/10/15/30
		20	98.18.012	6.0		Yellow	5/10/15/30
22		98.18.013	6.7	Purple		5/10/15/30	
24		98.18.014	7.3	Blue		5/10/15/30	
26		98.18.015	8.0	Pink		5/10/15/30	
3 ways		16	98.18.105	8.7		400±10mm	Orange
	18	98.18.106	8.7	Red	10/15/30		
	20	98.18.107	8.7	Yellow	10/15/30		
	22	98.18.108	5.3	Purple	10/15/30		
	24	98.18.109	6.0	Blue	10/15/30		
	26	98.18.110	6.7	Pink	10/15/30		

Silicone Parts OEM -Customized

Supply OEM service, can produce the various silicone items, different shape, different color, different hardness, different size.



Other Parts

Item Name	REF No.	Picture	Description
Disposable Endotracheal Tube Kit	98.10.003		classic ETT with accessories
	98.10.251		reinforced ETT with accessories
			Silicon ETT with accessories

Item No.	Picture	Description
001		silicone tube: different ID Reinforced
002		laryngeal mask: different color aperture bars
003		Silicone cuff: Different ID Different length
004		Silicone part: inflating line pilot balloon
005		15mm connector: different color PC or PP

The various part on the devices

Item No.	Picture	Description
006		Intubate stylet: Guide wire 6/8/10/12/14Fr
007		Laryngoscope: Blade + Holder 95/120/140/160mm
008		Breathing bag 1: silicone 0.5/1/2/3L
009		Breathing bag 2: Latex or free latex 0.5/1/2/3L
010		CPAP limb

The various optional parts